

### STANDARD FEATURES

**Movement:** All 300 series stainless steel  
**Pointer:** Gearing micrometer adjustable, balanced  
**Dial:** White enameled aluminum with black graduations and numerals 270° Arc  
**Dial Sizes:** 4 1/2"  
**Thread Size:** 1/4 male NPT; 1/2 male NPT  
**Connection Location:** Lower (Bottom), Back (Rear)  
**Case:** Polypropylene safety case (solid front, blow-out back) suitable for surface or direct mounting (standard).

**Bourdon Tube:** 316 stainless steel  
**Socket:** 316 stainless steel



### PRESSURE RANGES

CODE NO.	DIAL RANGES	FIGURE INTERVALS	SMALLEST GRADUATION
PC	0-15 psi	1 psi	.25 psi
PD	0-30 psi	5 psi	.5 psi
PE	0-60 psi	10 psi	1 psi
PF	0-100 psi	10 psi	1 psi
PG	0-160 psi	20 psi	2 psi
PH	0-200 psi	20 psi	2 psi
PJ	0-300 psi	50 psi	5 psi
PK	0-400 psi	50 psi	5 psi
PM	0-600 psi	100 psi	10 psi
PO	0-800 psi	100 psi	10 psi
PP	0-1000 psi	100 psi	10 psi
PR	0-1500 psi	200 psi	10 psi
PS	0-2000 psi	200 psi	20 psi
PT	0-3000 psi	500 psi	20 psi
PV	0-5000 psi	500 psi	50 psi
PY	0-10,000 psi	1000 psi	100 psi
PZ	0-15,000 psi	3000 psi	100 psi
P2	0-20,000 psi	2000 psi	200 psi

### VACUUM RANGES

CODE NO.	DIAL RANGES	FIGURE INTERVALS	SMALLEST GRADUATION
VC	30"~0 Hg. Vac	3"	.2"

### DESCRIPTION

CATALOG NO.	GAUGE TYPE	OPTIONAL CASE STYLE	
		LOWER CONNECT	BACK CONNECT
AA44	Standard "Dry" Gauge	#4 Aluminum Safety	#6 Aluminum Flush
AS44	Hermetically Sealed "Dry" Gauge		
AY44	Glycerin Filled Gauge		

### COMPOUND RANGES

CODE NO.	DIAL RANGES	FIGURE INTERVALS	SMALLEST GRADUATION
CA	30"~0- 15 psi	5" & 3 psi	.5"/.2 psi
CB	30"~0- 30 psi	10" & 5 psi	1"/.5 psi
CC	30"~0- 60 psi	10" & 10 psi	1"/1 psi
CD	30"~0-100 psi	30" & 10 psi	2"/1 psi
CE	30"~0-150 psi	30" & 20 psi	5"/2 psi
CF	30"~0-200 psi	30" & 20 psi	5"/2 psi
CG	30"~0-300 psi	30" & 50 psi	10"/5 psi
CI	30"~0-600 psi	30" & 100 psi	10"/10 psi

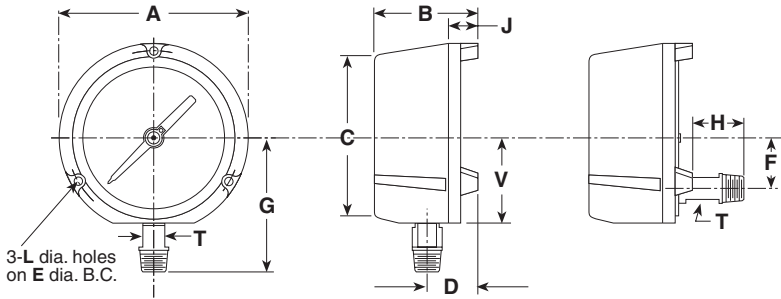
### NOTES:

- Royal Gauges are calibrated in accordance with ASME B40.1 Grade 2A (±1/2%).
- Metric dials can be furnished.

### HOW TO ORDER

**A A 4 4 2 P F 4 L W ( )**

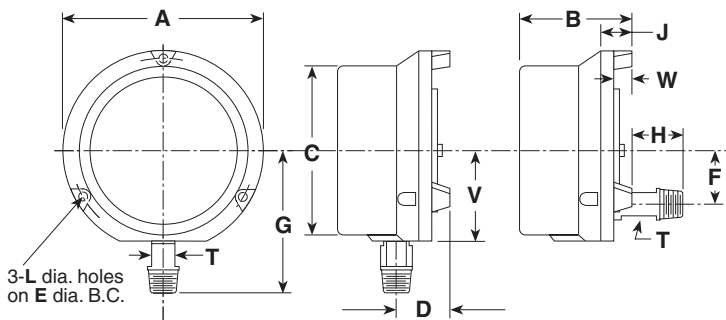
- Basic 4-digit Catalog No. From Table Above \_\_\_\_\_
- Case Style from above table \_\_\_\_\_
- Range Code From Range Tables Above \_\_\_\_\_
- Thread Size: 4 = 1/4 Npt Male (Standard); 2 = 1/2 Npt Male \_\_\_\_\_
- Connection Location: L = Lower (Bottom), R = Back (Rear) \_\_\_\_\_
- Dial Color: W = White \_\_\_\_\_
- If Any Gauge Options Are Desired – Specify Option Code(s) From Page 37 \_\_\_\_\_



**Surface Mount, Lower & Back Connect  
Polypropylene Safety**

Dial Size Inches	A	B	C	D	E	F	G	H	J	L	T	V	Wgt (lbs)
4½"	5 <sup>1</sup> / <sub>16</sub> (148)	3 <sup>3</sup> / <sub>8</sub> (86)	5 <sup>1</sup> / <sub>16</sub> (129)	1 <sup>1</sup> / <sub>8</sub> (41)	5 <sup>3</sup> / <sub>8</sub> (137)	1 <sup>1</sup> / <sub>8</sub> (42)	3 <sup>1</sup> / <sub>16</sub> (100)	¾ (20)	1 (25)	.218 (6)	5 <sup>5</sup> / <sub>8</sub> (16)	2 <sup>5</sup> / <sub>8</sub> (67)	2½

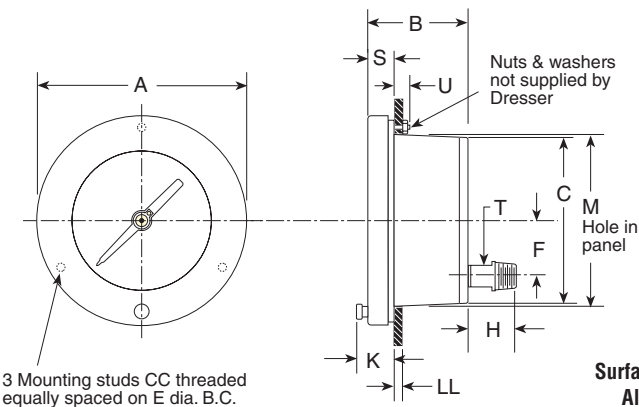
**CASE STYLE 2**



**Surface Mount, Lower & Back Connect  
Aluminum Safety**

Dial Size Inches	A	B	C	D	E	F	G	H	J	K	L	M	N	P	S	T	V	CC	LL	Wgt (lbs)
4½"	5 <sup>1</sup> / <sub>16</sub> (148)	3 <sup>1</sup> / <sub>2</sub> (86)	4 <sup>7</sup> / <sub>8</sub> (124)	1 <sup>1</sup> / <sub>8</sub> (41)	5 <sup>3</sup> / <sub>8</sub> (137)	1 <sup>1</sup> / <sub>8</sub> (42)	3 <sup>1</sup> / <sub>16</sub> (100)	7 <sup>8</sup> / <sub>16</sub> (20)	1 <sup>1</sup> / <sub>16</sub> (27)		.218 (6)					5 <sup>5</sup> / <sub>8</sub> (16)	2 <sup>5</sup> / <sub>8</sub> (67)		1 <sup>1</sup> / <sub>8</sub> -1 <sup>1</sup> / <sub>2</sub> (3)(13)	2½

**CASE STYLE 4**



**Surface Mount, Back Connect  
Aluminum Flush Safety**

Dial Size Inches	A	B	C	E	F	H	K	M	P	S	T	U	CC	LL	Weight (lbs)
4½"	6 <sup>3</sup> / <sub>32</sub> (148)	2 <sup>7</sup> / <sub>8</sub> (73)	4 <sup>3</sup> / <sub>4</sub> (121)	5 <sup>3</sup> / <sub>8</sub> (137)	1 <sup>1</sup> / <sub>8</sub> (41)	1 <sup>3</sup> / <sub>8</sub> (35)	1 <sup>1</sup> / <sub>16</sub> (27)	4 <sup>7</sup> / <sub>8</sub> (124)	2 <sup>1</sup> / <sub>8</sub> (54)	5 <sup>5</sup> / <sub>8</sub> (16)	5 <sup>5</sup> / <sub>8</sub> (16)	¾ (19)	#10-24	1 <sup>1</sup> / <sub>8</sub> -1 <sup>1</sup> / <sub>2</sub> (3)(13)	2½

**CASE STYLE 6**

