

Vapor Actuated Thermometers Type TI.V20, Remote Reading

WIKA Datasheet TI.V20

Applications

- Oil and gas industries
- Petrochemical and chemical industries
- Power generation and food processing
- Pulp & paper and HVAC/R

Special features

- CBM and lower connectin
- Remote reading
- Stainless steel case

Standard version

Design

Vapor actuated

Size

2" (50.8mm)

Accuracy

(+/-) 1 scale division

Case Connection

CBM and lower

Process Connection

Plain, union, or thermowell

Bulb

Union- 7/16" diameter (length is dependent upon capillary length); Plain- 3/8" diameter (length is dependent upon capillary length)

Capillary

Copper- plain or with braided armor
Stainless stell- plain or with interlocking armor

Dials

White coated aluminum with black finish

Pointer

Adjustable, balance, aluminum with matte black finish



Vapor Actuated Thermomter TI.V20

Window

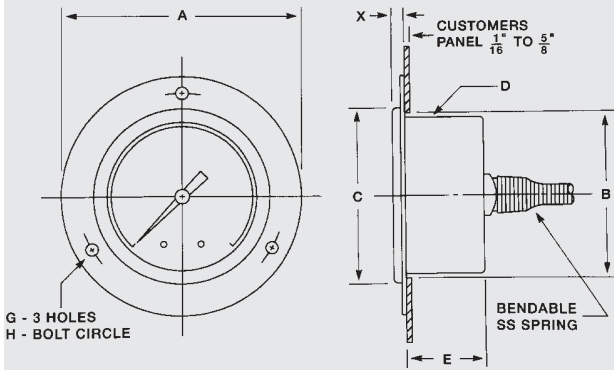
Glass, Lexan

Ranges (dual scale)

-40/60 F & C
-40/110 F & C
-20/100 F & C
0/150 F & C
0/180 F & C
20/220 F & C
40/240 F & C
30/300 F & C
100/350 F & C

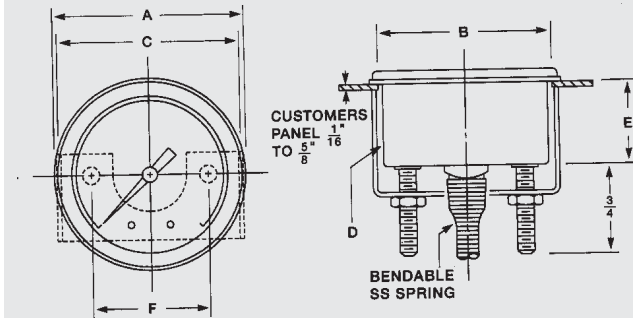
Dimensions

Standard versions



2" Case Size
Front Flange Case Dimensions

Case Size	Conn.	Panel Hole		C	D	E	F	G	H
		A	B						
2"	Back	2 ¹⁵ / ₁₆ "	2 ¹ / ₁₆ "	2 ¹¹ / ₆₄ "	2 ¹ / ₃₂ "	3 ¹ / ₃₂ "	-	9/ ₆₄ "	2 ⁹ / ₁₆ "



2" Case Size
U - Clamp Dimensions

Model	Case Size	Conn.	Panel Hole			E	F	
			A	B	C			
V20 UB	2"	Back	2 ⁷ / ₃₂ "	2 ¹ / ₁₆ "	-	2 ¹ / ₃₂ "	3 ¹ / ₃₂ "	1 ³ / ₈ "

Ordering information

State computer part number (if available) /type number/size/range/connection size and locations/options required. WIKA reserves the right to make changes without prior notice.



WIKAL Instrument Corporation
 1000 Wiegand Boulevard
 Lawrenceville, GA 30043
 1-888-WIKA-USA /770-513-8200 (in GA)
 Fax 770-338-5118
 info@wika.com www.wika.com