



Industrial Glass Thermometer

Straight Form

6" Scale

Type TI.61104

Thermometers

Application

General hydronic - chilled and hot water lines
 Conforms to military specifications (Army, Navy, Air-Force)

Size

6" (152.4 mm)

Accuracy

+/- 1% of scan

Standard Features

Case

Gray, V-shaped molded GE Valox®
 735 polyester

Form

Type TI.61104 - Straight connection

Stem

4"

Connection

½" and ¾" NPT dual threaded brass thermowell
 Swivel Nut only; without thermowell



Stem & Socket Assembly

Brass

Tube & Capillary

Magnifying lens
 Blue Reading Liquid

Window

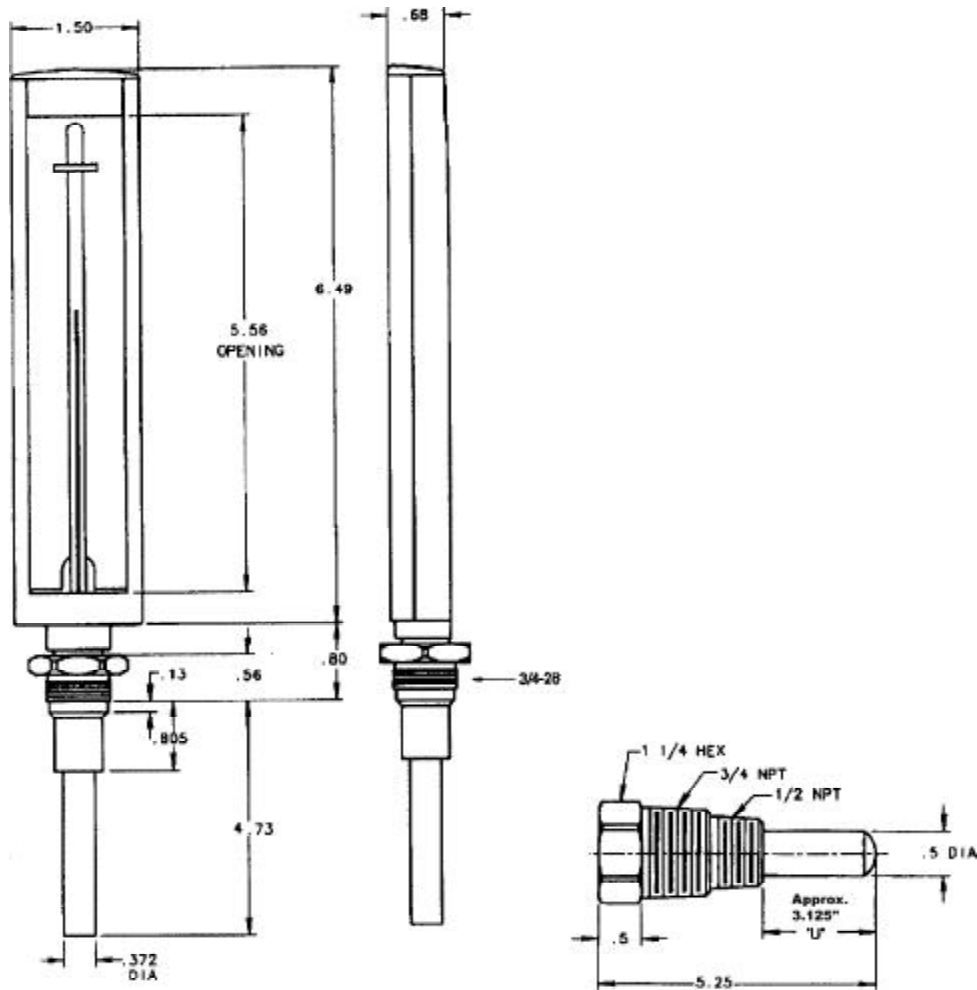
Glass

Scale

Permanently baked-on, bold black graduations are printed on white-coated aluminum

STANDARD RANGES		
Fahrenheit	Dual Scale F & C	Celsius
Single Scale	F Outer, C Inner	Single Scale
-40/110 F	-40/110 F & -45/45 C	-40/45 C
20/120 F	20/120 F & 0/50 C	-5/50 C
20/180 F	20/180 F & 0/80 C	0/110 C
30/240 F	30/240 F & 5/110 C	0/150 C
30/300 F	30/300 F & 0/150 C	10/200 C
50/400 F	50/400 F & 10/200 C	-----

Dimensions:



Ordering Information:

State computer part number (if available) / type number / size / range / connection size and location / options required.

Specifications given in this price list represent the state of engineering at the time of printing. Modifications may take place and the specified materials may change without prior notice

05/04



WIKAL Instrument Corporation
1000 Wiegand Boulevard
Lawrenceville, Georgia 30043-5868
Tel: 770-513-8200 Fax: 770-338-5118
<http://www.wika.com> e-mail: info@wika.com