

# Bimetal Thermometers Laboratory Thin Stem; Back Connection

Datasheet T17\_TIT20

## Applications

- Laboratories
- OEM applications

## Special features

- High quality
- Economical
- Stainless steel construction

## Standard version

### Size

2" (50.8 mm) - Model T20  
1¾" (44.5mm) - Model T17

### Accuracy class

1% full scale value (ASME B40.3)

### Min. / Max. Ranges

-100 °F to 1000 °F (and equivalent Celsius)

### Working Range

Steady: full scale value  
Short time: 110% of full scale value

### Under / Over Range Protection

Temporary over or under range tolerance of 50% of scale up to 500 °F (260°C)

### Connection

Plain, 7/16" hex hub with no threads

### Stem

304 Stainless Steel, TIG welded at tip and case connection.  
0.150" diameter (0.142" on Model 2008)

### Stem Lengths

5", 8", 12", 18" standard. Others available.

### Measuring Element

Bi-metal helix

### Dial

White aluminum, flat, with black markings



## Thermometers T17 and T20

### Case

Material: 304 stainless steel  
Hermetically sealed per ASME B40.3 standard

### Pointer

Black aluminum

### Standard Scales

Single: Fahrenheit or Celsius  
Dual: Fahrenheit (outer) and Celsius (inner)

### Window Gasket

Neoprene  
Silicone (-100 °F and over 550 °F)

### Window

Flat instrument glass

### External Reset

Externally adjustable on plain connection only. No external adjustment available on threaded connections.

### Dampening

Inert gel to minimize pointer oscillation

### Order Options (min. order may apply)

Special stem lengths  
Special threaded connections  
Special scales and dial markings  
Lexan window  
Sharp tip on end of stem  
Beaker clip

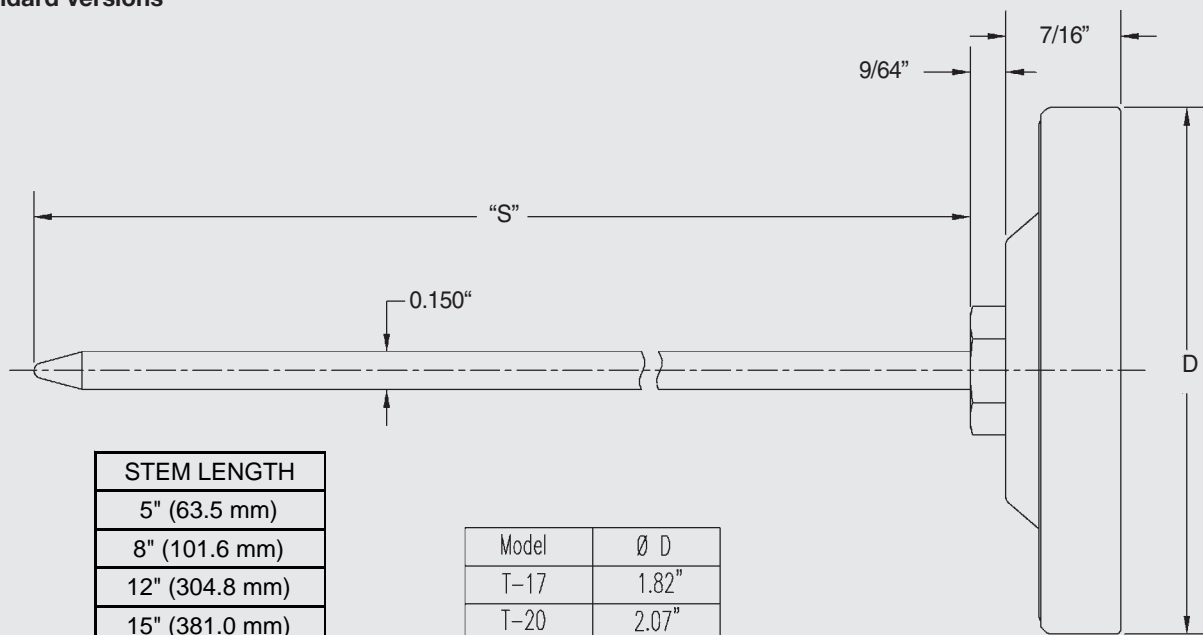
### Warranty

Limited one year warranty as stated in WIKA's Terms & Conditions of Sale

Standard Ranges			
	Dual Scale °F & °C	°F Only	°C Only
Code	0	2	1
*03	25/125°F & -5/50°C	25/125°F	0/50°C
04	0/140°F & -20/60°C	0/140°F	N/A
05	N/A	N/A	100°C
08	50/300°F & 10/150°C	50/300°F	0/150°C
10	50/500°F & 10/260°C	50/500°F	0/250°C
11	N/A	150/750°F	0/300°C
12	200/1000°F & 100/540°C	200/1000°F	100/550°C
19	-40/160°F & -40/70°C	-40/160°F	N/A
24	0/220°F & -10/110°C	0/220°F	-10/110°C
33	N/A -	100/100°F	N/A
34	0/180°F & -18/82°C	0/180°F	N/A

## Dimensions

### Standard versions



STEM LENGTH
5" (63.5 mm)
8" (101.6 mm)
12" (304.8 mm)
15" (381.0 mm)
18" (457.2 mm)

Model	Ø D
T-17	1.82"
T-20	2.07"

"S" = Stem Length

### Ordering information

State computer part number (if available) /type number/size/range/connection size and locations/options required. WIKA reserves the right to make changes without prior notice.



**WIKAI Instrument Corporation**  
 1000 Wiegand Boulevard  
 Lawrenceville, GA 30043  
 1-888-WIKA-USA /770-513-8200 (in GA)  
 Fax 770-338-5118  
 info@wika.com www.wika.com