



Diaphragm - Type Sanitary Gauge

Type M932.2C

Diaphragm Seals

Application

Food & Beverage and Pharmaceutical industry sanitary seal gauge with Bourdon tube. Intended for hygienic pressure media.

Design

External, flush diaphragm with Tri Clamp® connection, requires hydraulic fluid to transmit pressure to instrument. Unit is **autoclaveable** when glass window is being used.

Process Connection

1/2" & 3/4" Tri Clamp®

Suitable Pressure Ranges

Max 600 PSI (1000 PSI)

Operating Temperature

Media: 100°C
Ambient: -20°C to +60°C

Gauge Size

1-1/2" or 2"

Dial

White aluminum with black lettering

Accuracy

±2.5% of span

Case Material

304 stainless steel case and stainless steel ring.

Window

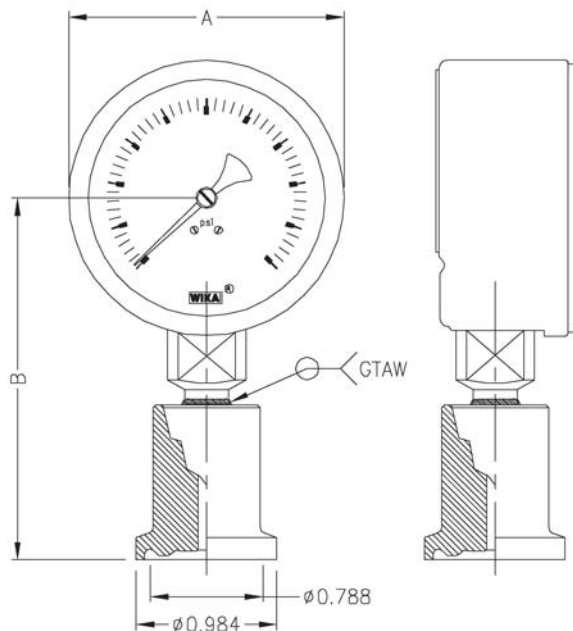
1-1/2": Standard Acrylic
2": Standard Glass

Pointer

Black aluminum

Available Options

See Selection Guide (over)



(1)=NOMINAL SIZE
ALL DIMENSIONS IN INCHES
UNLESS OTHERWISE NOTED

DIAL SIZE	A(1)	B
1-1/2"	1.5	2.62
2"	2.0	2.85

DWG.#2212587-5

To determine the effects of temperature and response time in a specific application, contact the factory for an **Application Questionnaire**. The information provided will allow WIKA Technical Support to accurately model your application parameters using state-of-the-art computer simulation techniques.

ACS M932.2C

Selection Guide - M932.2C

Gauge model 131.11 with diaphragm seal type 990.22

M932.2C,050,00060,P, L,22,3/4,SS,07,XX

Additional Special Order Options
None = no additional options
CC = Calibration Certificate to NIST

System Fill
07 - Glycerine (see note 2)
34 - Food Grade Silicone
62 - Mineral Oil

Wetted Material
SS = 316 stainless steel

Process Connection
3/4 = 3/4"

Diaphragm Seal Design
22 = Tri-Clamp®

Connection
L = Lower mount
B = Back mount (see note 1)

Pressure Units
P = PSI
O = PSI/KG/CM²
C = PSI/KPA
F = PSI/BAR

Pressure Range

30100 = -30INHG/0/100 PSI	00030 = 0-30 PSI	00200 = 0-200 PSI
30160 = -30INHG/0/160 PSI	00060 = 0-60 PSI	00300 = 0-300 PSI
30200 = -30INHG/0/200 PSI	00100 = 0-100 PSI	00400 = 0-400 PSI
30300 = -30INHG/0/300 PSI	00160 = 0-160 PSI	00600 = 0-600 PSI

Gauge Size
040 = 1-1/2"
050 = 2"

Gauge Type
M932.2C = stainless steel
M939.2C = stainless steel, dampened movement, dry case

Notes

1. Not available for 2" gauge with range <0-100 PSI.
2. Not for use in vacuum service.

Items in bold are available from stock (subject to prior sales). For optional items, consult factory for current lead-time.

Options not listed may be available, please consult factory.
Fill Fluid & Mounting options: Please reference data sheet ACS 99.MO.

THE MEASURE OF Total Performance™

Ordering Information:

State computer part number (if available) / type number / size / range / connection size and location / options required.

Specifications given in this price list represent the state of engineering at the time of printing. Modifications may take place and the specified materials may change without prior notice

05/05



WIKAI Instrument Corporation

1000 Wiegand Boulevard

Lawrenceville, Georgia 30043-5868

Tel: 770-513-8200 Fax: 770-338-5118

http://www.wika.com e-mail: chemseal@wika.com