



Diaphragm-Type Diaphragm Seal

Mini Diaphragm Seal

Type L990.TB

Diaphragm Seals

Application

Process industry diaphragm seal to combine with Bourdon tube pressure gauges. Intended for corrosive, contaminated, hot or viscous pressure media.

Design

Upper and lower housing welded with integral diaphragm
With requires hydraulic fluid to transmit pressure to instrument

Process Connection

1/4" or 1/2" NPT-female, other see options

Instrument Connection

1/4" or 1/2" NPT-female

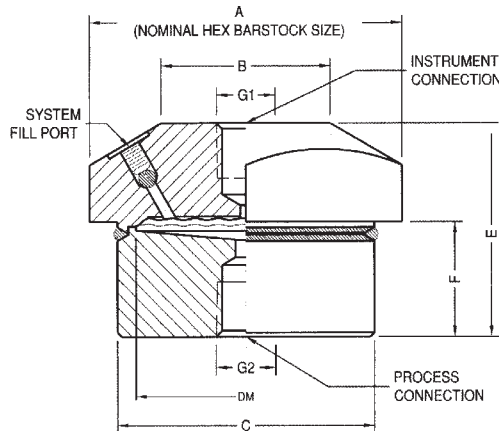
Suitable Pressure Ranges (MWP 2500PSI @250°F)

2 1/2" gauge: 15 PSI to 2500 PSI

4 or 4 1/2" gauge: 15 PSI to 2500 PSI

Available Options

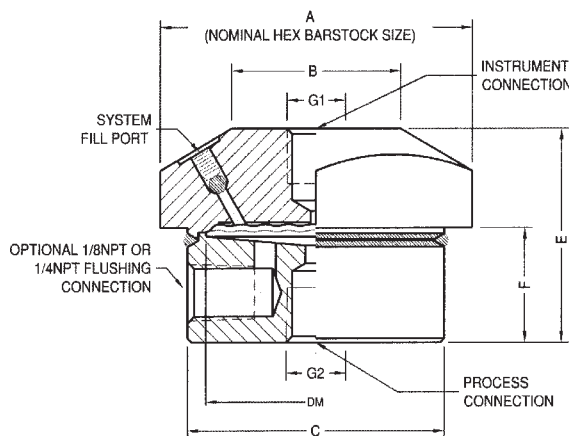
See Selection Guide (over)



G1: INSTRUMENT CONNECTION
G2: PROCESS CONNECTION
DM: EFFECTIVE DIAPHRAGM DIAMETER
ALL DIMENSIONS IN INCHES UNLESS OTHERWISE NOTED

G1	G2	A	B	C	DM	E	F	WEIGHT lbs.
1/4"NPT OR 1/2"NPT	1/4"NPT OR 1/2"NPT	2.50 ACROSS FLATS	1.56	2.38	2.1	1.94	1.04	1.4
1/4"NPT OR 1/2"NPT	3/4"NPT OR 1"NPT	2.50 ACROSS FLATS	1.56	2.38	2.1	2.24	1.34	1.5

DWG.#2089077-5



To determine the effects of temperature and response time in a specific application, contact the factory for an **Application Questionnaire**. The information provided will allow WIKA Technical Support to accurately model your application parameters using state-of-the-art computer simulation techniques.

ACS L990.TB
(ACS 99.01.M)

Selection Guide – 990.TB

990.TB, 1/4X1/4F, SS, SS-0, SS

Diaphragm Material

SS = 316 stainless steel
MO = Monel® 400 (See note 2)
HC = Hastelloy® C-276
HB = Hastelloy® B-2
CA = Carpenter® 20 (See note 2)

Flushing Connection

0 = None
1 = 1/8" NPT female
2 = 1/4" NPT female (see note 3)

Lower Housing Material

SS = 316 stainless steel
MO = Monel® 400 (See note 2)
HB = Hastelloy® B-2
HC = Hastelloy® C-276
CA = Carpenter® 20 (See note 2)

Upper Housing Material

SS = 316 stainless steel
MO = Monel® 400 (See note 2)
HC = Hastelloy® C-276
CA = Carpenter® 20 (See note 2)

Process Connection

1/4F = 1/4" NPT female
1/2F = 1/2" NPT female
3/4F = 3/4" NPT female
1.0F = 1" NPT female
1/4M = 1/4" NPT male
1/2M = 1/2" NPT male
3/4M = 3/4" NPT male
1.0M = 1" NPT male

Instrument Connection

1/4 = 1/4" NPT female
1/2 = 1/2" NPT female
CPL = Capillary connection (to weld capillary directly to seal)

Diaphragm Seal Design

990.TB = Large Diaphragm Design, $d_{in}=2.1"$ (See note 1) MWP = 2500 PSI

Notes

1. Suitable pressure ranges 0-15 PSI to 0-2500 PSI.
2. Upper housing, lower housing and diaphragm must all be Monel®.
3. Available from stock with stainless steel lower housing only.

*Items in **bold** are available from stock (subject to prior sales). For optional items, consult factory for current lead-time.*

Options not listed may be available, please consult factory.
Fill Fluid & Mounting options: Please reference data sheet ACS 99.MO.

THE MEASURE OF
Total Performance™

Ordering Information:

State computer part number (if available) / type number / size / range / connection size and location / options required.

Specifications given in this price list represent the state of engineering at the time of printing.
Modifications may take place and the specified materials may change without prior notice

05/01



WIKAI Instrument Corporation

1000 Wiegand Boulevard

Lawrenceville, Georgia 30043-5868

Tel: 770-513-8200 Fax: 770-338-5118

<http://www.wika.com> e-mail: chemseal@wika.com