



Diaphragm-Type Diaphragm Seal

High Pressure Flush Diaphragm Seals

Type L990.36

Diaphragm Seals

Application

Process industry diaphragm seal to combine with Bourdon tube pressure gauges. Intended for corrosive, contaminated, hot or viscous pressure media.

Design

Body with flush diaphragm which requires system fill fluid to transmit pressure to the instrument.

Process Connection

1/2" NPT to 1" NPT

Instrument Connection

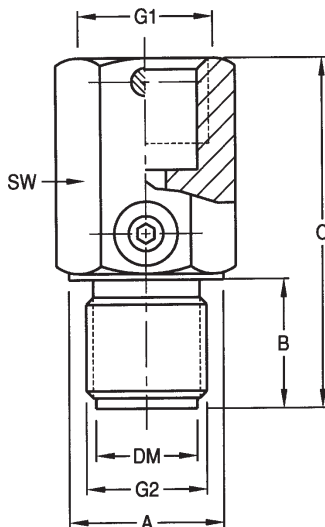
1/4" or 1/2" NPT-female

Suitable Pressure Ranges (Glycerin KN7)

DM0.7"	2 1/2" Gauge:	1500PSI to 9000PSI
	4 and 4 1/2" Gauge:	not available
DM0.9"	2 1/2" Gauge:	160PSI to 9000PSI
	4 and 4 1/2" Gauge:	1500PSI to 9000PSI
DM1.0"	2 1/2" Gauge:	160PSI to 9000PSI
	4 and 4 1/2" Gauge:	1000PSI to 9000PSI

Available Options (connections, materials, flushing ports, etc.)

See Selection Guide (over)



SW: WRENCH SIZE
 MWP=MAXIMUM WORKING PRESSURE@250°F
 G1: INSTRUMENT CONNECTION
 G2: PROCESS CONNECTION
 ALL DIMENSIONS IN INCHES UNLESS OTHERWISE NOTED

G1	G2	MWP	A	B	C	DM	SW
1/4NPT, 1/2NPT, G1/4B or G1/2B	1/2NPT or G1/2B	9,000	1.0	0.8	1.9	0.7	1.50
	3/4NPT or G3/4B		1.3	0.8	1.8	0.9	1.63
	1"NPT or G1B		1.5	1.1	2.5	1.0	1.75
	1-1/2NPT or G1-1/2B		2.4	1.2	2.0	1.6	2.00
	2"NPT or G2B		2.5	1.2	2.4	2.0	2.63

DWG.#2212102-5

To determine the effects of temperature and response time in a specific application, contact the factory for an **Application Questionnaire**. The information provided will allow WIKA Technical Support to accurately model your application parameters using state-of-the-art computer simulation techniques.

ACS L990.36
 (ACS 99.13)

Selection Guide - L990.36

L990.36,1/4FX1/2M,SS,SS

Diaphragm Material (See note 4)

SS = 316 stainless steel

MO = Monel® 400

HC = Hastelloy® C-276

TI = Titanium, grade 2

Body Material (See note 4 & 5)

SS = 316 stainless steel

MO = Monel® 400

HC = Hastelloy® C-276

TI = Titanium, grade 2

Process Connection

1/2M = 1/2" NPT male (See note 3)

3/4M = 3/4" NPT male

1.0M = 1" NPT male

1.5M = 1-1/2" NPT male

2.0M = 2" NPT male

G1/2B = G1/2B male thread (See note 3)

G3/4B = G3/4B male thread

G1.0B = G1B male thread

G1.5B = G1-1/2B male thread

Instrument Connection

1/4F = 1/4" NPT female

1/2F = 1/2" NPT female

G1/4 = G1/4 female

G1/2 = G1/2 female

Diaphragm Seal Design (Pressure rating – 9,000PSI)

L990.36 = Flush Diaphragm, male pipe thread (See note 2)

Notes

1. Available with G3/4B or G1B connection only. Minimum pressure range 1500 PSI. Running nut is 316 stainless steel.
2. Minimum pressure range 160 PSI depending on diaphragm size.
3. Minimum pressure range 1500 PSI.
4. Body and diaphragm must be the same material.
5. Upper housing is a process wetted component.

*Items in **bold** are available from stock (subject to prior sales). For optional items, consult factory for current lead-time.*

Options not listed may be available, please consult factory.

Fill Fluid & Mounting options: Please reference data sheet ACS 99.MO

THE MEASURE OF
Total Performance™

Ordering Information:

State computer part number (if available) / type number / size / range / connection size and location / options required.

Specifications given in this price list represent the state of engineering at the time of printing. Modifications may take place and the specified materials may change without prior notice

05/01



WIKAI Instrument Corporation

1000 Wiegand Boulevard

Lawrenceville, Georgia 30043-5868

Tel: 770-513-8200 Fax: 770-338-5118

http://www.wika.com e-mail: chealseal@wika.com