



# Inline Diaphragm Seal

## Threaded NPT Inline Diaphragm Seal

Type L981.SY

### Diaphragm Seals

#### Application

Process industry Diaphragm seal to combine with Bourdon tube pressure gauges or transmitters. Intended for rapidly flowing corrosive, contaminated, hot or light to medium viscous pressure media.

#### Design

Body with cylindrical diaphragm to be sandwiched between two NPT threaded connections. Requires hydraulic fluid to transmit pressure to instrument.

#### Process Connection

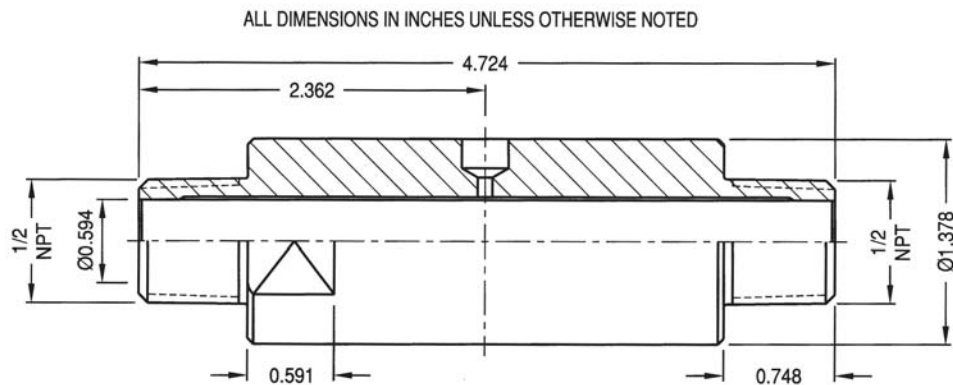
1/2" to 1"; other see options

#### Suitable Pressure Ranges

100 PSI to 5000 PSI (for lower ranges consult factory)

#### Available Options (connections, materials, etc.)

See Selection Guide (over)



DWG.#2212242-5

To determine the effects of temperature and response time in a specific application, contact the factory for an **Application Questionnaire**. The information provided will allow WIKA Technical Support to accurately model your application parameters using state-of-the-art computer simulation techniques.

ACS L981.SY

# Selection Guide - L981.SY

981.SY,1/4X1/2M,SS,SS

## Notes

1. Additional threaded sanitary connections are available, contact factory for availability.
2. Available for 2-1/2" gauge with minimum pressure span of 15 PSI or 4" gauge with minimum pressure span of 100 PSI.
3. Diaphragm and upper housing material must be the same. Special materials available, contact factory for availability.
4. Upper housing is a process wetted component.

## Diaphragm Material (See note 3)

SS = 316 stainless steel

HC = Hastelloy® C-276

TI = Titanium, grade 2

## Upper Housing Material (See notes 3 & 4)

SS = 316 stainless steel

HC = Hastelloy® C-276

TI = Titanium, grade 2

## Process Connection

1/2M = 1/2" NPT male (See note 2)

3/4M = 3/4" NPT male

1.0M = 1" NPT male

## Instrument Connection

1/4F = 1/4" NPT female

1/2F = 1/2" NPT female

CPL = Capillary connection (To weld capillary directly to seal)

## Diaphragm Seal Design (See note 1)

L981.SY = Threaded INLINE SEAL™

Options not listed may be available, please consult factory!  
Fill Fluid & Mounting options: Please reference data sheet ACS 99.MO.

THE MEASURE OF  
**Total Performance™**

## Ordering Information:

State computer part number (if available) / type number / size / range / connection size and location / options required.

Specifications given in this price list represent the state of engineering at the time of printing.  
Modifications may take place and the specified materials may change without prior notice

05/01



**WIKAL Instrument Corporation**

1000 Wiegand Boulevard

Lawrenceville, Georgia 30043-5868

Tel: 770-513-8200 Fax: 770-338-5118

<http://www.wika.com> e-mail: [chemseal@wika.com](mailto:chemseal@wika.com)