



# INLINE SEAL™ Diaphragm Seal

## Sanitary INLINE™ Diaphragm Seal

Type L981.57

### Diaphragm Seals

#### Application

Food & Beverage and Pharmaceutical industry diaphragm seal to combine with Bourdon tube pressure gauges. Intended for hygienic, rapidly flowing corrosive, contaminated, hot or light to medium viscous pressure media.

#### Design

Body with cylindrical diaphragm to be installed between Cherry Burrell® flanges. Requires hydraulic fluid to transmit pressure to instrument.

#### Process Connection

1 ½" to 3"

#### Instrument Connection

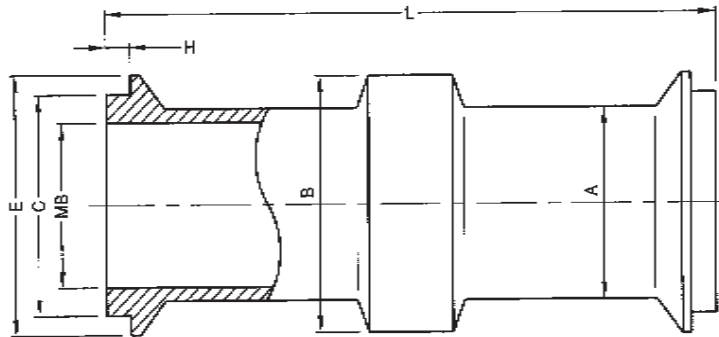
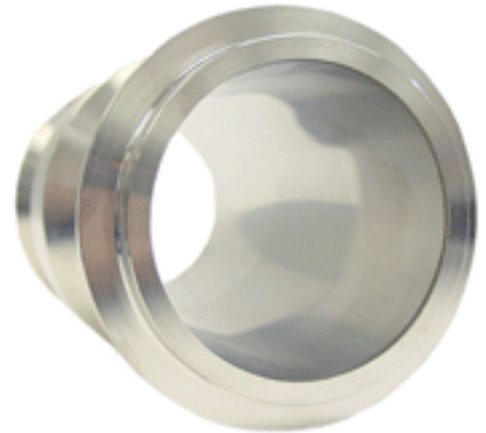
Capillary, ¼" or ½" NPT-female

#### Suitable Pressure Ranges

15 psi to 600PSI (for lower ranges consult factory)

#### Available Options (connections, materials, etc.)

See Selection Guide (over)



MB=INTERNAL DIAMETER  
 MWP=MAXIMUM WORKING PRESSURE @ 250°F  
 HIGHER RATING WITH APPROPRIATE CLAMPING DEVICE  
 ALL DIMENSIONS IN INCHES UNLESS OTHERWISE NOTED

SIZE	MWP	A	B	C	E	H	L	MB
	psi							
1.5"	500	1.5	1.97	1.74	2.00	0.203	4.79	1.98
2"	450	2.0	2.50	2.24	2.64	0.258	5.54	1.88
2.5"	350	2.5	3.10	2.74	3.31	0.312	6.38	2.37

DWG.#2212351-

To determine the effects of temperature and response time in a specific application, contact the factory for an **Application Questionnaire**. The information provided will allow WIKA Technical Support to accurately model your application parameters using state-of-the-art computer simulation techniques.

**ACS L981.57**  
**(ACS 98.04S)**

# Selection Guide - L981.57

L981.57,1/4X3/4,SS,SS,NONE

## Notes

1. Additional sanitary connections are available, contact factory for availability. Maximum working pressure 1,000 PSI @ 100°F or maximum clamp rating.
2. Diaphragm and upper housing material must be the same. Special materials available, contact factory for availability.
3. Upper housing is a process wetted component.
4. For use with CherryBurrell® I-Line seal design only.

*Items in **bold** are available from stock (subject to prior sales). For optional items, consult factory for current lead-time.*

## Options

**NONE** – No additional options

ELPOL – Electropolishing with '3A' logo etched on seal

3A – '3A' logo etched on seal

M/M – 2 male process connections (See note 4)

M/F – 1 male, 1 female process connection (See note 4)

## Diaphragm Material (See note 2)

**SS = 316 stainless steel**

HC = Hastelloy® C-276

## Upper Housing Material (See notes 2 & 3)

**SS = 316 stainless steel**

HC = Hastelloy® C-276

## Process Connection

1.5 = 1-1/2"

**2.0 = 2"**

**2.5 = 2.5"**

**3.0 = 3"**

## Instrument Connection

**1/4F = 1/4" NPT female**

**1/2F = 1/2" NPT female**

**CPL = Capillary connection (To weld capillary directly to seal)**

## Diaphragm Seal Design (See note 1)

981.57 = Cherry Burrell® I-Line

Options not listed may be available, please consult factory.  
Fill Fluid & Mounting options: Please reference data sheet ACS 99.MO

THE MEASURE OF  
**Total Performance™**

## Ordering Information:

State computer part number (if available) / type number / size / range / connection size and location / options required.

Specifications given in this price list represent the state of engineering at the time of printing. Modifications may take place and the specified materials may change without prior notice

05/01



**WIKAL Instrument Corporation**

1000 Wiegand Boulevard

Lawrenceville, Georgia 30043-5868

Tel: 770-513-8200 Fax: 770-338-5118

http://www.wika.com e-mail: chemseal@wika.com