

Gauge Isolators

Chemline SG Series Gauge Isolators allow inexpensive pressure gauges, or any other pressure instrument to be used in corrosive services. The upper chamber (gauge side) is filled with a stable fluid such as glycerine‡. A diaphragm separates it from the lower chamber which receives the media under pressure.

The 1/2" gauge connection allows use of the popular 4" and 4-1/2" diameter gauges. Pressure switches or transmitters may also be installed. Customers can easily fill isolators and install their own gauges.

Isolate Pressure Instruments from Corrosive Media

Teflon® Diaphragm

Features

Easy to Mount Gauges

- It is easy to fill an isolator and field mount a gauge. No special equipment is required.
- Will accept popular 4" and 4-1/2" diameter gauges

Provision for Fill Port

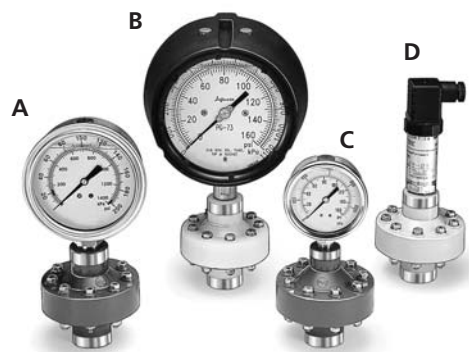
-

High Chemical Resistance

- Choice of body materials for a wide range of applications
- Teflon® PTFE bonded Hypalon dished diaphragm for high chemical resistance and sensitivity

Heavy Duty Design for Safety

- PPG* top chamber
- Heavy wall connection ports
- Bottom port has SS reinforcing ring to eliminate splitting



- A PVC isolator with 4" gauge
- B PVDF isolator with 4-1/2" gauge
- C PVC isolator with 2" gauge
- D PP isolator with pressure transmitter

† Other available inlet connections are 1/4" threaded, 1/2" socket or 1/2" to 1" flanged.

‡ Other fluids are available for special applications such as chlorine service.

* Glass reinforced polypropylene.

CHEMLINE
Plastics Limited

Your Pipeline To Quality

DRAFT

PVC, PP, PVDF

SERIES: SG

INLET CONNECTION: 1/4" or 1/2" Threaded†

INSTRUMENT CONNECTION: 1/4" or 1/2" Threaded

DIAPHRAGM: Teflon®

CRN
CERTIFIED

Manufactured by
ASV Stübbe

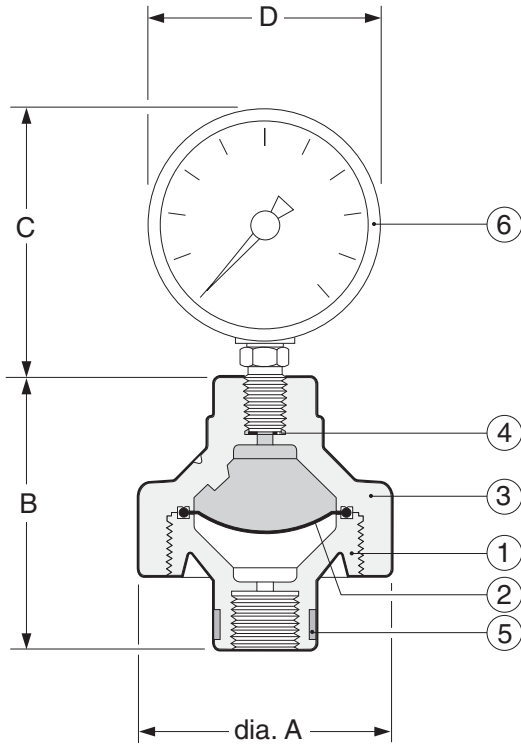
Optional Gauge – Isolators are available alone or with gauge mounted and prefilled with glycerine‡

Provision for Fill Port

Stainless Steel Band – Prevents splitting when installing



Gauge Isolators



DIMENSIONS INCHES

| Inlet Size† | Instrument Connection | A | | B | | Optional Gauge | |
|-------------|-----------------------|------|------|--------------|-----|----------------|--|
| | | | | Nominal Size | C | D(max) | |
| 1/2" | 1/4" | 3.15 | 3.38 | 2-1/2" | 3.1 | 2.5 | |
| 1/2" | 1/2" | 3.15 | 3.38 | 4" | 4.5 | 4.0 | |
| 1/2" | 1/2" | 3.15 | 3.38 | 4-1/4" | 6.3 | 5.83 | |

† 1/4" are also available.

PARTS

▲ Recommended Spare Parts

| No. | Part | Pcs. | Materials |
|-----|----------------------|------|---------------|
| 1 | Body | 1 | PVC, PP, PVDF |
| 2▲ | Diaphragm | 1 | Teflon® PTFE |
| 3 | Bonnet | 1 | PPG |
| 4 | Gasket | 1 | ? |
| 5 | Stainless Steel Band | 1 | 304 SS |
| 6 | Optional Gauge | 1 | See below |

PPG = Glass reinforced polypropylene

OPTIONS & ACCESSORIES

- Gauge mounted to isolator and prefilled with glycerine or special fluid for chlorine applications
- Flanged inlet connections
- Chemline will mount any pressure instrument supplied free issue by customer

OPTIONAL GAUGES

All gauges have MNPT bottom mount connectors. Dials and cases are filled with either glycerine or silicon for corrosion resistance and dampening. "Internals" are Bourdon tube and connector.

| Gauge Diameter | Item No. | Description |
|----------------|----------|--|
| 2-1/2" | P025-xx | 304 SS case, copper-alloy internals, glycerine filled, polycarbonate window, accuracy ±1.5% of span |
| 4" | P040-xx | 304 SS case, 316 SS internals, glycerine filled, safety glass window, accuracy ±1.0% of span |
| 4-1/2" | P045-xx | Glass filled polyester (PBTP) case, blow out back, 316 SS internals, silicon filled, acrylic window, ±0.5% of span |

xx – denotes maximum gauge pressure, i.e., 30, 60, 100, 160 or 200 psi.

WORKING PRESSURES PSI

| Material | 10 - 20°C | 30°C | 40°C | 50°C | 60°C | 70°C | 80°C | 90°C | 100°C | 120°C | Net Weights Pounds* |
|----------|-----------|------|-------|-------|-------|-------|-------|-------|-------|-------|---------------------|
| | 50 - 68°F | 86°F | 104°F | 122°F | 140°F | 158°F | 176°F | 194°F | 212°F | 248°F | |
| PVC | 150 | 100 | 80 | 45 | 15 | – | – | – | – | – | 1.0 |
| PP | 150 | 125 | 100 | 80 | 65 | 45 | – | – | – | – | 0.7 |
| PVDF | 150 | 150 | 150 | 125 | 105 | 85 | 70 | 60 | 45 | 30 | 1.3 |

Temperature Ranges - PVC: –10 to 60°C (14 to 140°F), PP: 8 to 80°C (46 to 176°F), PVDF: –30 to 120°C (–22 to 248°F).

NR = Not Recommended. * Weights are for unfilled 1/2" x 1/2" isolators without gauges. 1/2" x 1/4" isolators are 20% lighter.

ORDERING EXAMPLE

| | | | | | |
|--------------------------------|---|----------|-------------|------------|----------|
| Chemline Gauge Isolator | SG | A | 005- | 002 | P |
| Body Material | A – PVC B – PP K – PVDF | | | | |
| Inlet Size | 002 – 1/4" 005 – 1/2" (Standard) | | | | |
| Instrument Connection | 002 – 1/4" 005 – 1/2" | | | | |
| Diaphragm | P – Teflon® PTFE bonded EPDM | | | | |
| Filling & Mounting | G – Add only if isolator is supplied filled with glycerine and gauge or pressure instrument is mounted by Chemline. Separate gauge item numbers are listed above. | | | | |

Example: Chemline SG Series Gauge Isolator, PVC, 1/2" x 1/4" FNPT inlet x instrument connections, Teflon®.



55 Guardsman Road, Thornhill, Ontario, Canada, L3T 6L2
 Tel: 905-889-7890 info@chemline.com
 Fax: 905-889-8553 www.chemline.com

Your Pipeline To Quality Valves, Piping, Flow Meters and Controls



Established in 1968