

Special features:

- Diaphragm-sealed piston actuator for long, reliable service
- Choice of wetted materials and pressure connections for all applications
- Watertight anodized aluminum body for environmental protection
- Hermetically sealed snap-acting switch element
- Field adjustable
- Standard 1/2 NPT Male electrical conduit connection
- Factory sealed leads
- Directly interchangeable with many similar models for convenience
- UL and CSA listed standard

Ideal for pressure alarm, shutdown, control on:

- Engines and compressors
- Process applications
- Offshore applications
- Panels
- Pipelines
- Hazardous locations
- Corrosive environments
- Machine tools
- Replacement and retrofit
- Where size is a consideration or equipment is being downsized



1 - FUNCTION
FPS - Pressure switch, single setpoint, fixed deadband, factory set

2 - ENCLOSURE (BODY)
N7 - NEMA 3, 4, 7 & 9, IP66 Anodized aluminum for hazardous locations

3 - SWITCH ELEMENT CODE		
Code	SPDT Switch Elements UL/CSA Listed	
P	Hermetically Sealed, Narrow Deadband	5A, 125/250 Vac
J	Hermetically Sealed, General Purpose	11A, 125/250 Vac 5A, 30 Vdc
L	Hermetically Sealed, Gold Contacts	1A, 125 Vac

4 - ACTUATOR SEAL		
Code	Material	Proc. Temp. Limits (°F)
B	Buna N	0-150
V	Viton	20-200
T	Teflon	0-150
R	SS Diaphragm/Viton O-Ring	0-150
S	316 SS Welded	0-200
H	SS Piston/Viton O-Ring	20-200

5 - PRESSURE CONNECTION	
Code	Description
25	1/4 NPT Female
07	1/2 NPT Female (Standard)

6 - F-SERIES OPTIONS	
Code	Description
XFP	Fungus proofing
XFS	Factory adjusted setpoint
XK3	Terminal blocks
XNH	Tagging stainless steel
X6B	Cleaned for oxygen service

7A - NOMINAL RANGE & PERFORMANCE TABLE – BUNA (CODE B)

Nominal Range		Proof Pressure	Deadband (by Switch Element)	
psi	bar	psi	Code J	Code P,L
30 in.Hg Vac.†	-1	1000	1.8-8.0	0.4-5.0
30	2	1000	0.2-1.5	0.1-1.3
60	4	1000	0.2-2.5	0.3-1.5
100	7	1000	0.5-4.0	0.5-2.5
200	14	1000	1.5-8.0	0.5-5.0
400	28	1600	1.0-15.0	1.5-9.0
600	40	2400	4.0-28.0	2.0-15.0
1000	70	4000	6.0-50.0	3.0-30.0

7B - NOMINAL RANGE & PERFORMANCE TABLE – HIGH PRESSURE (CODE H)

1000	70	12,000	50-100	N/A
2000	140	12,000	100-200	N/A
3000	210	12,000	150-300	N/A
4000	280	16,000	150-350	N/A

7C - NOMINAL RANGE & PERFORMANCE TABLE – WELDED SS (CODE S)

30	2	1000	1.0-4.5	0.5-3.5
60	4	1000	1.0-5.0	0.5-4.0
100	7	1000	1.5-10.0	1.0-6.0
200	14	1000	2.0-18.0	1.0-12.0
400	28	1600	5.0-32.0	2.0-20.0
600	40	2400	9.0-50.0	4.0-30.0
1000	70	4000	15.0-80.0	7.0-50.0

7D - NOMINAL RANGE & PERFORMANCE TABLE – BUNA (CODE V, T, R)

30 in.Hg Vac.†	-1	1000	1.5-10.0	0.5-7.0
30	2	1000	0.5-3.5	0.2-2.5
60	4	1000	0.5-4.0	0.5-3.0
100	7	1000	1.0-7.0	1.0-4.5
200	14	1000	12.5-12.0	1.0-8.5
400	28	1600	5.0-30.0	2.0-17.0
600	40	2400	8.0-48.0	4.0-34.0
1000	70	4000	10.0-80.0	5.0-55.0

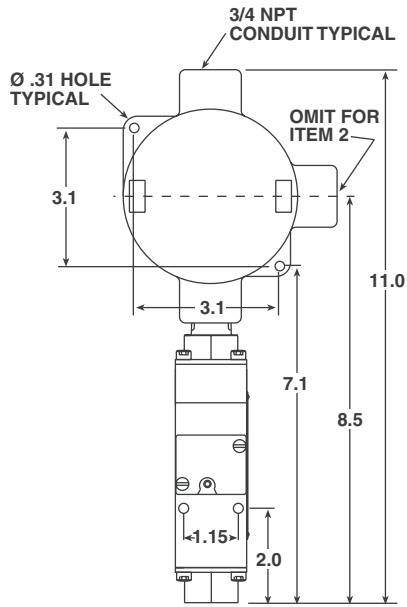
Note: Switches calibrated at 70°F reference.

TO ORDER THIS F-SERIES PRESSURE SWITCH:

Select: **FPS N7 P B 07 XFS 30 psi**

1. Function: _____
2. Body: _____
3. Switch Element (Table 3): _____
4. Actuator Seal (Table 4): _____
5. Pressure Port: Standard 1/2 NPTF _____
6. Options (see table 6): _____
7. Nominal Range (see Tables 7A, 7B, 7C, 7D): _____

Pressure Switch with XK3



Pressure Switch

