

- *Silicone liquid filled*
- *External adjustment*
- *Durable polycarbonate window*
- *Maxivision® dial*
- *$\pm 1\%$  full-span accuracy (ASME B40.3 Grade A)*
- *All-welded stainless steel construction*
- *Limited five-year warranty*

This series – liquid filled – is available in 3" rear, 5" rear and 5" Everyangle™ connections. The external adjustment is standard.

The Ashcroft® liquid-filled thermometer provides the same features as the EL style with the added benefit of liquid filling.

The potential wear problem caused by excessive vibration is minimized through dampening and the instrument life is prolonged. The liquid medium also improves readability.



### SELECTION TABLE

Case Size		Style Code	Stem				Stem Lengths Available		Temperature Range					
Dial	Code		Connection	Code	Location	Code	"S" Length (inches)	Code	°F* Fahrenheit	°/Div.	Fig. Inter.	°C Celsius	°/Div.	Fig. Inter.
3"	30	EL	½ NPT	60	Rear	R	2½	025	-40/160	2	20	-20/120	2	20
							4	040	-20/120†	2	20	-10/110	2	10
							6	060	30/130†	1	10			
5"	50		½ NPT Union	42	Everyangle	E	9	090	0/200	2	20	0/50†	1	5
							12	120	0/250	2	50	0/100	1	10
							15	150	50/300	2	50	10/150	2	20
			18	180			50/550	5	50	0/300	5	50		
			24	240										
			½ NPT	60			Rear	R						
½ NPT	60													

\*Dual scale ranges available for all standard °F ranges.

†Minimum stem length for Everyangle connection is 4".

•Use Ashcroft Duratemp thermometers for ranges above and below those listed above.

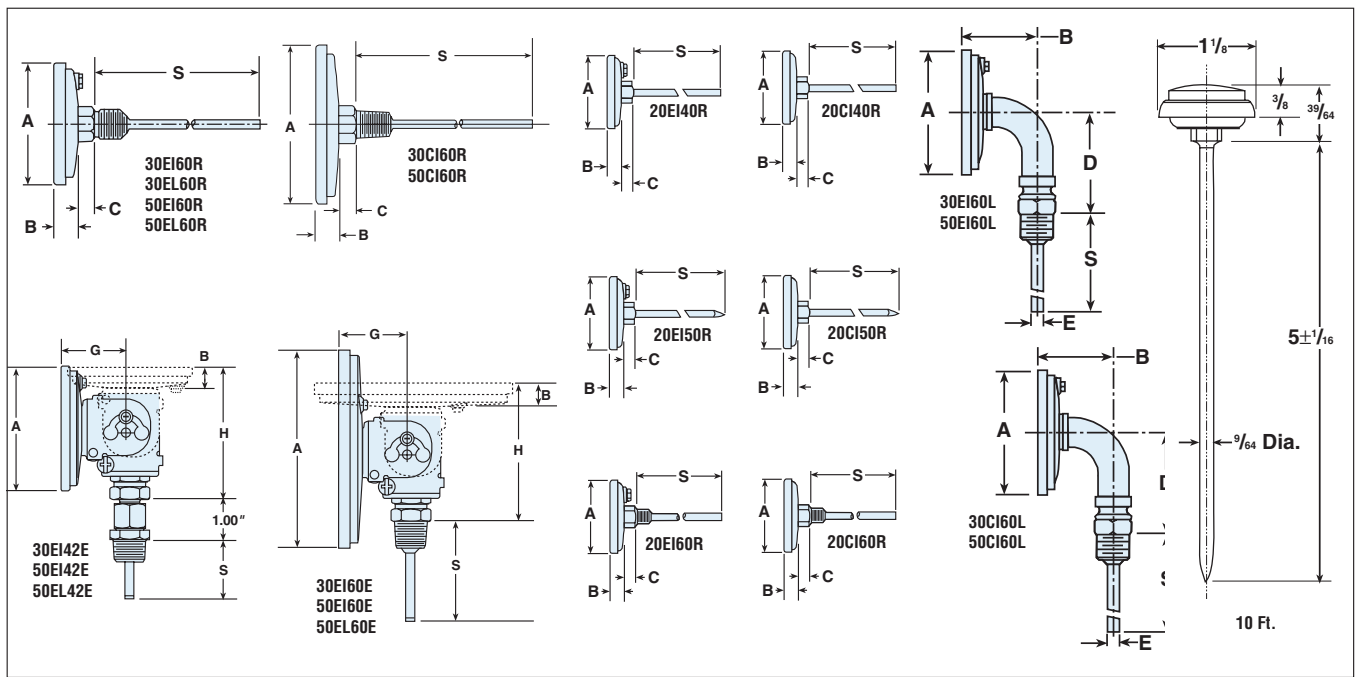
\*Thermowells must be used on all pressure or velocity applications, to protect the stem of thermometer from corrosion and physical damage, and to facilitate removal of the thermometer without disturbing the process. Maximum ambient temperature is 150°F (65°C).

### Overtemperature Limits

Top of Range °F	Maximum Overtemperature
up to 160	100% of span
160/300	300°F
300/550	550°F

### TO ORDER THIS EL SERIES BIMETAL THERMOMETER:

- Select: 30 EL 60 R 040 0/250°F XNH
1. Case Size: 3" Code 30 \_\_\_\_\_
  2. Style: Code EL \_\_\_\_\_
  3. Stem Conn: ½ NPT Code 60 \_\_\_\_\_
  4. Stem Location: Rear Code R \_\_\_\_\_
  5. Stem Length: 4" Code 040 \_\_\_\_\_
  6. Range: Code 0/250°F \_\_\_\_\_
  7. Options: Stainless Steel Tag (see Page 198) \_\_\_\_\_



Case Series	Dial Size	Connection Location	A	B	C	D	E	G	H	S	NPT	Hex	Weight in ounces <sup>3</sup> S – 2½" Case Series		
													CI	EI	EL
CI, EI	2"	Rear (Plain)	2 <sup>3</sup> / <sub>32</sub> (53)	3/8 (10)	5/16 (8)	–	–	–	–	– <sup>2</sup>	–	1 1/16	4 1/2	4 1/2	–
CI, EI	2"	Rear (Plain, pointed stem)	2 <sup>3</sup> / <sub>32</sub> (53)	3/8 (10)	5/16 (8)	–	–	–	–	– <sup>2</sup>	–	1 1/16	4 1/2	4 1/2	–
CI, EI	2"	Rear (Threaded)	2 <sup>3</sup> / <sub>32</sub> (53)	3/8 (10)	5/16 (8)	–	–	–	–	– <sup>2</sup>	1/4	1 1/16	4 1/2	4 1/2	–
CI, EI, EL	3"	Rear	3 <sup>5</sup> / <sub>32</sub> (80)	1 <sup>9</sup> / <sub>32</sub> (15)	5/16 (8)	–	–	–	–	– <sup>2</sup>	1/2	7/8	7	7	8
CI, EI	3"	Lower	3 <sup>5</sup> / <sub>32</sub> (80)	1 <sup>27</sup> / <sub>32</sub> (47)	–	2 <sup>5</sup> / <sub>8</sub> (67)	1/4 (6)	–	–	– <sup>2</sup>	1/2	7/8	11	11	–
EI	3"	Everyangle	3 <sup>5</sup> / <sub>32</sub> (80)	1 <sup>9</sup> / <sub>32</sub> (15)	–	–	–	1 <sup>21</sup> / <sub>32</sub> (42)	3 <sup>7</sup> / <sub>16</sub> (87)	– <sup>2</sup>	1/2	7/8	–	10	–
CI, EI, EL	5"	Rear	5 <sup>1</sup> / <sub>32</sub> (128)	2 <sup>3</sup> / <sub>32</sub> (18)	5/16 (8)	–	–	–	–	– <sup>2</sup>	1/2	7/8	15	16	18
CI, EI	5"	Lower	5 <sup>1</sup> / <sub>32</sub> (128)	1 <sup>15</sup> / <sub>16</sub> (49)	–	3 <sup>5</sup> / <sub>8</sub> (92)	1/4 (6)	–	–	– <sup>2</sup>	1/2	7/8	24	26	–
EI, EL	5"	Everyangle	5 <sup>1</sup> / <sub>16</sub> (128)	2 <sup>3</sup> / <sub>32</sub> (18)	–	–	–	1 <sup>7</sup> / <sub>8</sub> (48)	3 <sup>9</sup> / <sub>16</sub> (91)	– <sup>2</sup>	1/2	7/8	–	25	28

## NOTES

- Figures in parenthesis ( ) are in millimeters. All other dimensions are in inches.
- Standard "S" dimensions are 2½, 4, 6, 9, 12, 15, 18 and 24 inches.  
Standard stem diameter is 1/4 inch.
- Add 1 oz. for every 2 inches of stem length.