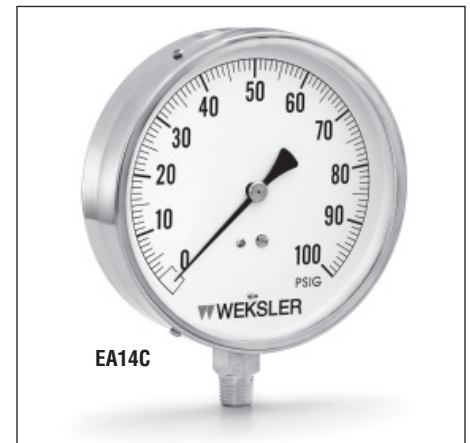


### STANDARD FEATURES

- 4 1/2" diameter
- Corrosion Resistant Stainless Steel Case and Ring, Plastic Lens.
- Zero adjusting screw.
- Soft soldered phosphor bronze tube with brass socket. Suitable for steam, water, air, oil, gas or any medium not corrosive to copper alloys.
- Bronze/brass movement.
- Easy to read dial; white background with bold black numerals and graduations, 270° arc.
- 1/4 NPT bottom connection only.



### PRESSURE RANGES

| CATALOG NO | DIAL RANGES | FIGURE INTERVALS | SMALLEST GRADUATION |
|------------|-------------|------------------|---------------------|
| EA14A      | 0- 30 psi   | 5 psi            | 1/2 psi             |
| EA14B      | 0- 60 psi   | 10 psi           | 1 psi               |
| EA14C      | 0-100 psi   | 10 psi           | 1 psi               |
| EA14D      | 0-160 psi   | 20 psi           | 2 psi               |
| EA14E      | 0-200 psi   | 20 psi           | 2 psi               |
| EA14F      | 0-300 psi   | 50 psi           | 5 psi               |
| EA14G      | 0-500 psi   | 50 psi           | 5 psi               |

### VACUUM RANGES

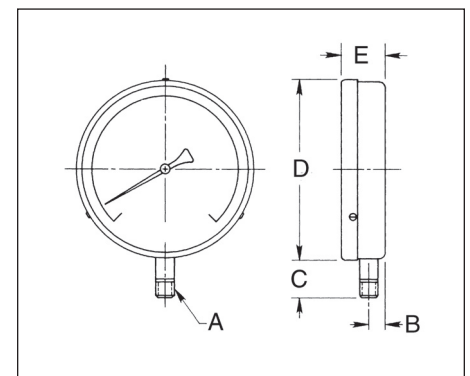
|       |               |       |         |
|-------|---------------|-------|---------|
| EA14H | 30"-0 Hg. Vac | 5 in. | 1/2 in. |
|-------|---------------|-------|---------|

### COMPOUND RANGES

|       |               |              |            |
|-------|---------------|--------------|------------|
| EA14J | 30"-0- 30 psi | 10" & 5 psi  | 1" & 1 psi |
| EA14K | 30"-0-100 psi | 15" & 10 psi | 5" & 1 psi |
| EA14L | 30"-0-150 psi | 30" & 25 psi | 5" & 5 psi |
| EA14M | 30"-0-300 psi | 30" & 50 psi | 5" & 5 psi |

TO ORDER: SPECIFY 5 DIGIT "CATALOG NUMBER" FROM ABOVE TABLE.

### DIMENSIONS



### GAUGE DIMENSIONS – EA14C

| A       | B    | C      | D       | E      |
|---------|------|--------|---------|--------|
| 1/4 NPT | 7/16 | 1 1/16 | 4 15/16 | 1 3/16 |
|         | (11) | (27)   | (126)   | (30)   |