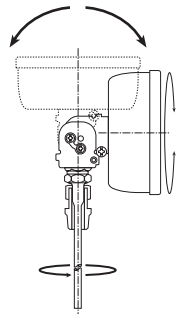


- Exclusive movementless design resists shock and vibration – no gears to wear out – or misalign resulting in increased instrument life
- Gas-operated molecular sieve
- Mercury free
- 1% full-span accuracy
- Everyangle Duratem[®] thermometer can be rotated 360° and can be angled 180°, ensuring readability in any installation
- Maxivision[®] dial
- Limited five-year warranty

The direct-reading thermometer (stainless steel case only) offers the same unique features of the Ashcroft[®] Duratem[®] remote-reading thermometer for those critical applications where only a direct-connected instrument can be used. Available in 4½" dial size.



The Every-angle[™] Duratem[™] thermometer may be rotated 360° for readability and the stem turned 180° for the most challenging installations.



SELECTION TABLE

600B	—	01	—	AB		
Type	Table 1		Table 2			
600B	CODE	STEM LENGTH	CODE	SINGLE RANGES	CODE	DUAL RANGES
D I R E C T - M O U N T E D	01	Semirigid Stainless Steel 6"	AB	-320/200°F	CE	20/240°F 0/120°C
	02	Semirigid Stainless Steel 9"	AE	-100/100°F		
	03	Semirigid Stainless Steel 12"	AG	-40/180°F	CF	50/550°F 0/300°C
	04	Semirigid Stainless Steel 15"	AK	20/240°F		
	05	Semirigid Stainless Steel 18"	AL	50/300°F	DR	50/300°F 10/150°C
	06	Semirigid Stainless Steel 24"	AN	50/550°F		
	07	Semirigid Stainless Steel 30"	AR	50/750°F*	DT	-40/180°F -40/80°C
	08	Semirigid Stainless Steel 36"	AT	400/1200°F*		
			AY	-200/100°C		
			BL	-80/40°C		
			BN	-40/80°C		
			BS	0/120°C		
			BT	10/150°C		
			BU	0/300°C		
			BW	0/400°C*		
			BJ	200/650°C*		

*For these ranges a minimum "S" dimension (stem length) of 9 inches is recommended. This removes case from exposure to high temperature which may damage the instrument.

NOTE: Thermowells must be used whenever an Ashcroft Duratem[®] thermometer is installed on a pressurized application or where fluid velocity or corrosive media is present.

TO ORDER THIS 600B DURATEMP THERMOMETER:

SELECT 600B 01 AB XNH

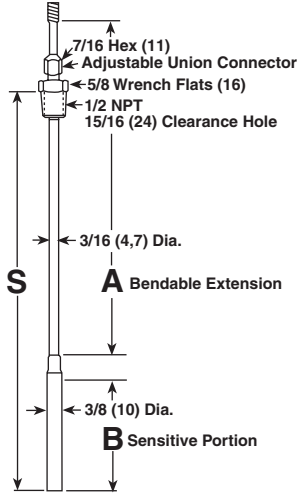
1. Stem Length: Length: 6" _____ Table 1 _____

2. Temperature Range: -320/200°F _____ Table 2 _____

3. Options: Stainless Steel Tag _____ See Page 198 _____

Style B01, B17 and B18

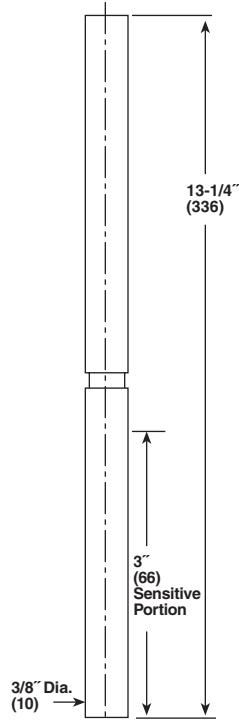
Bendable Extension,
Union Connection



Bulb Code	Bulb Size "B"	"A"	"S" Max.	"S" Min.
B01	3 (76)	12 (305)	15 (381)	4 (102)
B17	3 (76)	18 (457)	21 (533)	4 (102)
B18	3 (76)	24 (610)	27 (686)	4 (102)

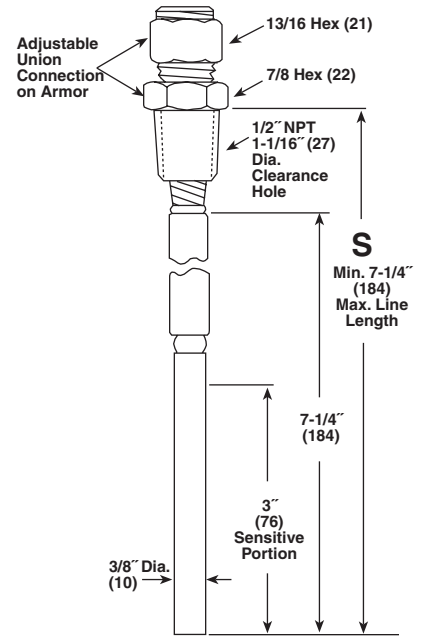
Style B03

Plain

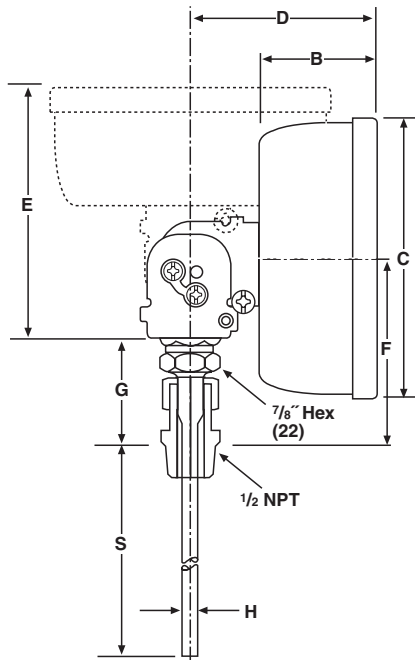


Style B08

Long Extension, Locking Fitting



600B Everyangle



FOR TEMPERATURES BELOW 750°F	
S	U-Dimension (Insertion Length)
6 (152)	4½ (114)
9 (229)	7½ (191)
12	10½

FOR TEMPERATURES 750°F AND ABOVE USE WELL WITH 3" LAG		
S	Well Lag	U-Dimension (Insertion Length)
9 (229)	3	4½ (114)
12 (305)	3	7½ (191)
15 (381)	3	10½ (268)

Dial Size Inches	B	C	D	E	F	G	H
4½	2¹⁄₁₆ (52)	5³⁄₃₂ (128)	3¹¹⁄₆₄ (81)	4¹³⁄₁₆ (122)	3 (76)	1 (25)	³⁄₈ (10)

NOTE: Dimensions in inches, () are millimeters.