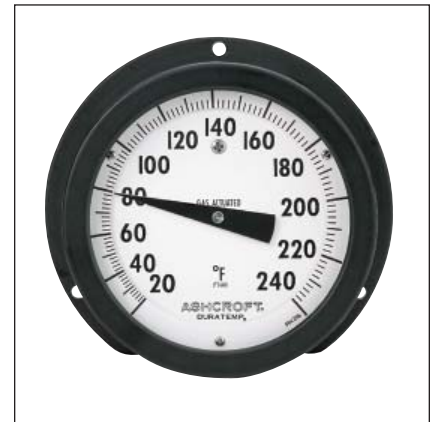


- Exclusive movementless design resists shock and vibration – no gears to wear or misalign resulting in increased instrument life
- Gas-operated molecular sieve
- No elevation error
- Mercury free
- One bulb size for all ranges
- ±1% full-span accuracy
- Maxivision® dial
- Readily available – two to three weeks delivery
- Limited five-year warranty

A black-coated aluminum case with excellent impact resistance. Threaded ring permits adjustment. Available in 4½" and 6" sizes.



SELECTION TABLE

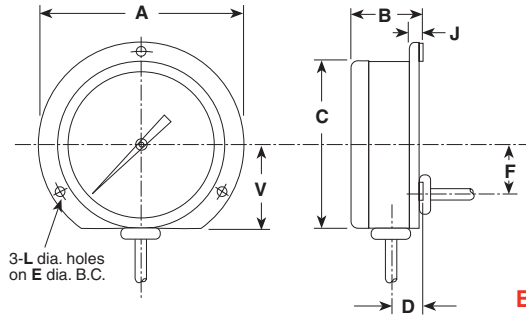
600A — 03		— C02		— B01		— A1		— L07		— AK				
Table 1		Table 2				Table 3		Table 4		Table 5		Table 6		
CASE STYLE		CASE SIZE		MOUNTING				ARMOR STYLE		LINE LENGTH		RANGES		
CODE	DESCRIPTION	CODE	SIZE	MOUNTING		CONNECTION		CODE	DESCRIPTION	CODE	LINE LENGTH	CODE	SINGLE RANGES	
				SURFACE	FLUSH	LOWER	REAR							
03	ALUMINUM THREADED RING	C02	4½"	✓		✓								
		C15	6"	✓		✓								
600A								B01	12" Bendable extension with ½ NPT union connection	A1	Stainless Steel Spring	L01	5'	
								B03	Plain bulb with rigid extension, no union			L03	10'	
								B08	Plain bulb with rigid extension, ½ NPT union on armor			L07	20'	
								B17	18" Bendable extension with ½ NPT union connection			L09	30'	
								B18	24" Bendable extension with ½ NPT union connection			L13	50'	
												L19	80'	
								*Minimum recommended insertion length ("u" dimension) in liquids is 4 inches and in gases is 6 inches for standard ¾ x 3" bulb						
													CE	20/240°F 0/120°C
													CF	50/550°F 0/300°C
													DR	50/300°F 10/150°C
													DT	-40/180°F -40/80°C
													DUAL RANGES	

TO ORDER THIS DURATEMP 600A-03 THERMOMETER:

Select:

	600A	03	C02	B01	A1	L07	AK	XNH
1. Case Style: Aluminum/Threaded Ring _____ Table 1 _____								
2. Case Size & Mounting: 4½" Surface, Lower _____ Table 2 _____								
3. Bulb Style: 12" Bendable Extension with Union Connection _____ Table 3 _____								
4. Armor Style: Stainless Steel Spring _____ Table 4 _____								
5. Line Length: 20 feet _____ Table 5 _____								
6. Temperature Range: 20/240°F _____ Table 6 _____								
7. Options: Stainless Steel Tag _____ (See Page 200) _____								

600A-03 Aluminum-Threaded Ring Case



APPROXIMATE WEIGHT (LBS.)			
Line Length	Case Size		
	4½"	6"	8½"
5'	1.75	2.55	3.40
10'	2.05	2.85	3.70
20'	2.65	3.45	4.30
30'	3.25	4.05	4.90
50'	4.45	5.25	6.10
80'	6.25	7.05	7.90

Beaded Ring for Surface Mounting

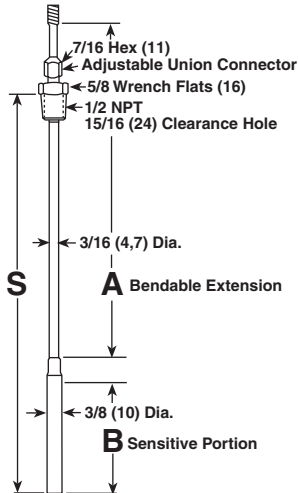
Case Size Inches	A	B	C	D	E	F	J	L	V
4½	5 ¹⁹ / ₁₆ (148)	2¼ (57)	4 ³¹ / ₃₂ (126)	15/ ₁₆ (24)	5 ³ / ₈ (137)	1 ⁵ / ₈ (41)	3/ ₈ (10)	7/ ₃₂ (5,5)	2 ³ / ₈ (60)
6	7 ⁵ / ₈ (194)	2¼ (57)	6½ (165)	15/ ₁₆ (24)	7 (178)	2 ¹ / ₈ (54)	7/ ₁₆ (11)	9/ ₃₂ (7)	3 ¹ / ₈ (79)

Flanged Ring for Flush Mounting

Case Size Inches	C1	V	B	J	F	M	E	L	LL	S	PP	NN
4½	5 ⁷ / ₈ (149)	2 ³ / ₈ (60)	2¼ (57)	3/ ₈ (10)	1 ⁵ / ₈ (41)	4 ¹⁵ / ₁₆ (125)	5 ³ / ₈ (137)	7/ ₃₂ (5,5)	1/ ₁₆ 1/2 (2) (13)	3/ ₁₆ (5)	#10-24	C Sink 7/ ₁₆ x 82° incl. angle (11) x 82°
6	7 ⁵ / ₈ (194)	3 ¹ / ₈ (79)	2¼ (57)	7/ ₁₆ (11)	2 ¹ / ₈ (54)	6 ⁷ / ₁₆ (164)	7 (178)	9/ ₃₂ (7)	1/ ₁₆ 1/2 (2) (13)	3/ ₁₆ (5)	#10-24	C Sink 9/ ₁₆ x 82° incl. angle (14) x 82°

Style B01, B17 and B18

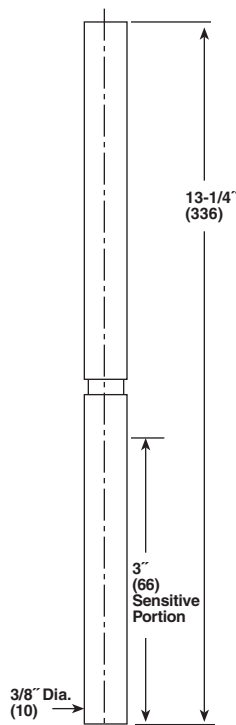
Bendable Extension, Union Connection



Bulb Code	Bulb Size "B"	"A"	"S" Max.	"S" Min.
B01	3 (76)	12 (305)	15 (381)	4 (102)
B17	3 (76)	18 (457)	21 (533)	4 (102)
B18	3 (76)	24 (610)	27 (686)	4 (102)

Style B03

Plain



Style B08

Long Extension, Locking Fitting

