

- **Exclusive movementless design resists shock and vibration – no gears to wear or misalign resulting in increased instrument life**
- **Gas-operated molecular sieve**
- **No elevation error**
- **Mercury free**
- **One bulb size for all ranges**
- **±1% full-span accuracy**
- **Maxivision[®] dial**
- **Readily available – two to three weeks delivery**
- **Limited five-year warranty**

A high impact-resistant polished stainless steel case. Bayonet ring facilitates easy removal for glass replacement and pointer adjustment. A versatile case that enables surface or flush mounting. Available in 4½" dial size.



SELECTION TABLE

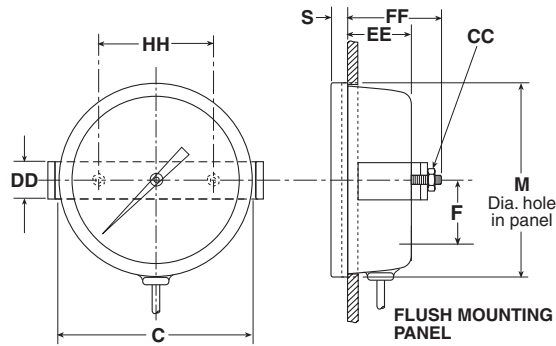
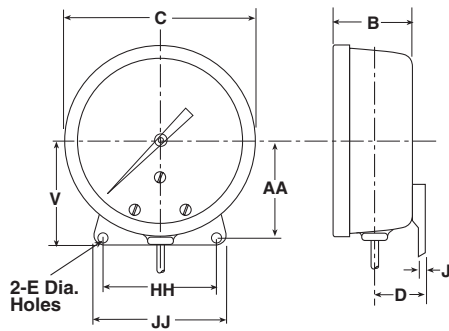
600A — 01		C01						B01		A1		L07		AK	
Table 1		Table 2				Table 3		Table 4		Table 5		Table 6			
CASE STYLE		CASE SIZE		MOUNTING				BULB STYLES*		ARMOR STYLE		LINE LENGTH		RANGES	
CODE	DESCRIPTION	CODE	SIZE	MOUNTING		CONNECTION		CODE	DESCRIPTION	CODE	DESCRIPTION	CODE	LINE LENGTH	CODE	SINGLE RANGES
				SURFACE	FLUSH	LOWER	REAR								
01	ST. ST. BAYONET RING	C01	4½"	✓		✓		B01	12" Bendable extension with ½ NPT union connection	A1	Stainless Steel Spring	L01	5'	AB	-320/200°F
		C11	4½"		✓		✓	B03	Plain bulb with rigid extension, no union			L03	10'	AE	-100/100°F
								B08	Plain bulb with rigid extension, ½ NPT union on armor			L07	20'	AG	-40/180°F
								B17	18" Bendable extension with ½ NPT union connection			L09	30'	AK	20/240°F
								B18	24" Bendable extension with ½ NPT union connection			L13	50'	AL	50/300°F
								*Minimum recommended insertion length ("u" dimension) in liquids is 4 inches and in gases is 6 inches for standard 3/8 x 3" bulb				L19	80'	AN	50/550°F
														AR	50/750°F
														AT	400/1200°F
														AY	-200/100°C
														BL	-80/40°C
														BN	-40/80°C
														BS	0/120°C
														BT	10/150°C
														BU	0/300°C
														BW	0/400°C
														BJ	200/650°C
														DUAL RANGES	
														CE	20/240°F
															0/120°C
														CF	50/550°F
															0/300°C
														DR	50/300°F
															10/150°C
														DT	-40/180°F
															-40/80°C

TO ORDER THIS DURATEM 600A-01 THERMOMETER:

Select:

- Case Style: Stainless Steel/Bayonet Ring _____ Table 1 _____
- Case Size & Mounting: 4½" Surface, Lower _____ Table 2 _____
- Bulb Style: 12" Bendable Extension with Union Connection _____ Table 3 _____
- Armor Style: Stainless Steel Spring _____ Table 4 _____
- Line Length: 20 feet _____ Table 5 _____
- Temperature Range: 20/240°F _____ Table 6 _____
- Options: Stainless Steel Tag _____ (See Page 200) _____

600A-01 Stainless Steel Case

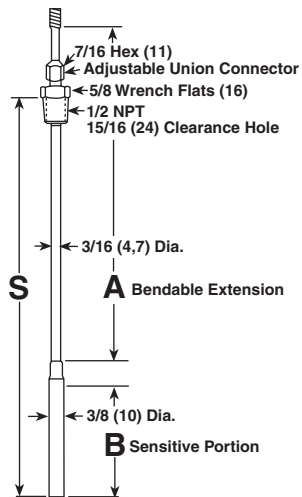


Line Length	APPROXIMATE WEIGHT (LBS.)		
	Case Size		
	4½"	6"	8½"
5'	1.75	2.55	3.40
10'	2.05	2.85	3.70
20'	2.65	3.45	4.30
30'	3.25	4.05	4.90
50'	4.45	5.25	6.10
80'	6.25	7.05	7.90

Dial Size Inches	B	C	D	E	F	J	M	S	T	U	V	AA	CC	DD	FF	EE	HH	JJ
4½	2 ³ / ₁₆ (56)	5 ¹ / ₈ (130)	1 ¹ / ₁₆ (27)	7 ⁷ / ₃₂ (6)	1 ⁵ / ₈ (141)	1 ¹ / ₁₆ (2)	4 ²⁵ / ₃₂ (121)	7 ⁷ / ₁₆ (11)	5 ⁸ / ₁₆ (16)	1 ⁷ / ₁₆ (37)	2 ⁷ / ₈ (73)	2 ⁵ / ₈ (67)	#10-32	1 (25)	2 ¹ / ₄ (57)	1 ⁵ / ₈ (41)	3 (76)	3 ¹ / ₂ (89)

Style B01, B17 and B18

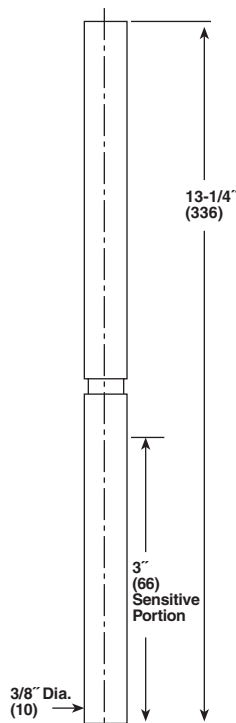
Bendable Extension, Union Connection



Bulb Code	Bulb Size "B"	"A"	"S" Max.	"S" Min.
B01	3 (76)	12 (305)	15 (381)	4 (102)
B17	3 (76)	18 (457)	21 (533)	4 (102)
B18	3 (76)	24 (610)	27 (686)	4 (102)

Style B03

Plain



Style B08

Long Extension, Locking Fitting

