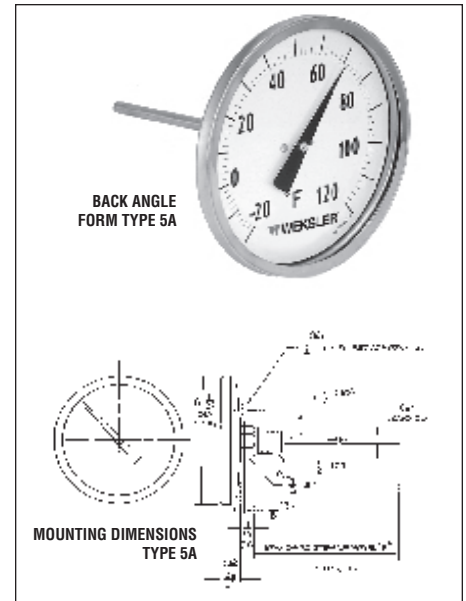


STANDARD FEATURES

- All Stainless Steel Construction
- External Recalibration Adjustment
- White dial with black markings
- Accurate to ±1% of Scale Range
- Gasketed Glass Face
- Case is sealed to exclude dirt, dust and moisture
- 5" dial size

STEM LENGTH	CATALOG NUMBERS*			
	90° BACK ANGLE FORM	STRAIGHT FORM	90° LEFT SIDE ANGLE FORM	90° RIGHT SIDE ANGLE FORM
2½"	5A02	5S02	5L02	5R02
4"	5A04	5S04	5L04	5R04
6"	5A06	5S06	5L06	5R06
9"	5A09	5S09	5L09	5R09
12"	5A12	5S12	5L12	5R12
15"	5A15	5S15	5L15	5R15
18"	5A18	5S18	5L18	5R18
24"	5A24	5S24	5L24	5R24

Longer stem lengths available on special order (48" maximum on straight, left and right side forms; 72" on back angle)



STANDARD RANGES

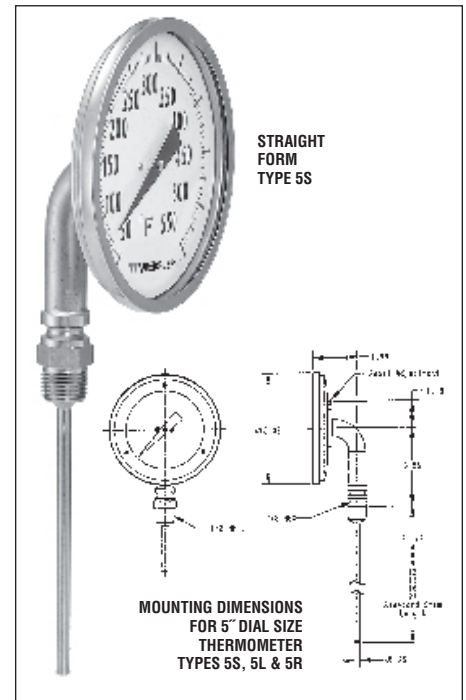
CODE	Fahrenheit
FC	-80 to 120°F
FE	-40 to 120°F
FG	0 to 150°F
FJ	0 to 200°F
FL	0 to 250°F
FM	30 to 240°F
FN	25 to 125°F
FR	50 to 300°F
FS	50 to 400°F
FT	50 to 550°F
FX	150 to 750°F†
FY	200 to 1000°F*†

	Celsius
CD	-50 to 50°C
CJ	0 to 100°C
CM	-10 to 110°C
CN	0 to 50°C
CR	0 to 150°C
CS	0 to 200°C
CU	0 to 300°C
CX	50 to 450°C†
CY	100 to 550°C*†

CODE	DUAL SCALE		
	Fahrenheit (on outside)	and	Celsius (on inside)
DE	-40/120°F	and	-40/50°C
DF	40/160°F	and	-40/70°C
DN	30/130°F	and	0/55°C
DJ	-0/200°F	and	-20/94°C
DL	0/250°F	and	-20/120°C
DR	50/300°F	and	10/150°C
DS	50/400°F	and	10/200°C
DT	50/550°F	and	10/290°C
DX	100/800°F*	and	40/430°C†
DY	200/1,000°F	and	100/550°C*†

*Not recommended for continuous service above 800°F (425°C).
 For such temperatures see pg. 63.
 †Minimum stem length for these ranges 4".

OPTIONAL FEATURES	
CODE	Description
EL	Liquid Filling for Catalog No's AF, 3A, 5A only
PD	Plastic Window
SG	Shatter Proof Glass
NN	Paper Tag
NH	Stainless Steel Tag
TPC	Mounting Clip for 1" & 2"
DM	Dial Markings
C4	Calibration Certificate



SEPARABLE THERMOWELLS AVAILABLE
 SEE PAGES 87 TO 90

HOW TO ORDER

5 A 0 6 4 4 F J X

1. Basic 4-digit Catalog No. From Table Above _____
2. Stem Diameter: "4" = .250" O.D. (Standard); "5" = .375" O.D. (Extra Cost) _____
3. Thread Size: "4" = ½ NPT Male; "U" = ¼ NPT Male (Extra Cost) _____
4. 2 Digit Range Code from Range Tables Above _____
5. Option(s): "X" = Non Required Option(s) Required (Extra Cost) Select code from above table _____