

4½" Gauges Type 1000, ASME B 40.1 Grade B (±3-2-3% of span) Type 2071A, ASME B 40.1 Grade A (±2-1-2% of span)

- Type 2071A contractor gauge offers aluminum-back flange case (black), with attractive chrome-plated steel ring
- Type 1000 gauge offers black steel case with black ring and glass window
- Adjustable pointer is standard on contractor gauges
- Patented PowerFlex™ movement with polyester segment
- True Zero™ indication, a unique safety feature

Ashcroft® Type 1000 gauges have a black steel case and ring with a glass window. These gauges are appropriate for general industrial applications and can be customized to complement your equipment.

Ashcroft contractor gauges (Type 2071A) are lightweight, highly sensitive and accurate. These gauges are designed to meet the needs of HVAC and plumbing contractors, and are tested against strict industry specifications. The aluminum case provides corrosion resistance.

The patented PowerFlex movement, in both Types 1000 and 2071A, provides the shock resistance needed for rough treatment.

True Zero indication reduces the potential risk of installing a damaged



gauge on your equipment.

FlutterGuard™ is available to eliminate pointer flutter and extend gauge life.

GAUGE SPECIFICATIONS

Size:

Accuracy:

Case:

Ring:

Window:

Dial:

Pointer:

Bourdon tube:

Movement:

Socket:

Connection:

Ranges:

Operating temperature:

Options:

TYPE 1000

4½"

ASME B 40.1, Grade B (±3-2-3% of span)

Black-painted steel

Black-painted steel, friction fit

Glass

Black figures on white background

Black, aluminum

Bronze, soldered

Patented PowerFlex with polyester segment

Brass

¼ NPT lower

Vacuum through 600 psi and compound

-40°F to 150°F

Case color other than black

Plastic window (PD)

Chrome ring (13)

FlutterGuard (SF)

Adjustable pointer (AP)

Nickel-plated socket (NP)

Customized dials

Throttle plugs: 0.007", 0.013", 0.020",

0.063" orifices

Special calibration on application

TYPE 2071A

4½"

ASME B 40.1, Grade A (±2-1-2% of span)

Aluminum with back flange, painted black.

Chrome-plated steel, friction fit

Glass

Black figures on white background

Adjustable, black, aluminum

Bronze, soldered (siphon required for steam service)

Patented PowerFlex with polyester segment

Brass

¼ NPT lower

Vacuum through 600 psi and compound

-40°F to 150°F

Case color other than black

Plastic window (PD)

Nickel-plated socket (NP)

FlutterGuard (SF)

Black steel ring

Customized dials

Throttle plugs: 0.007", 0.013", 0.020", 0.063" orifices

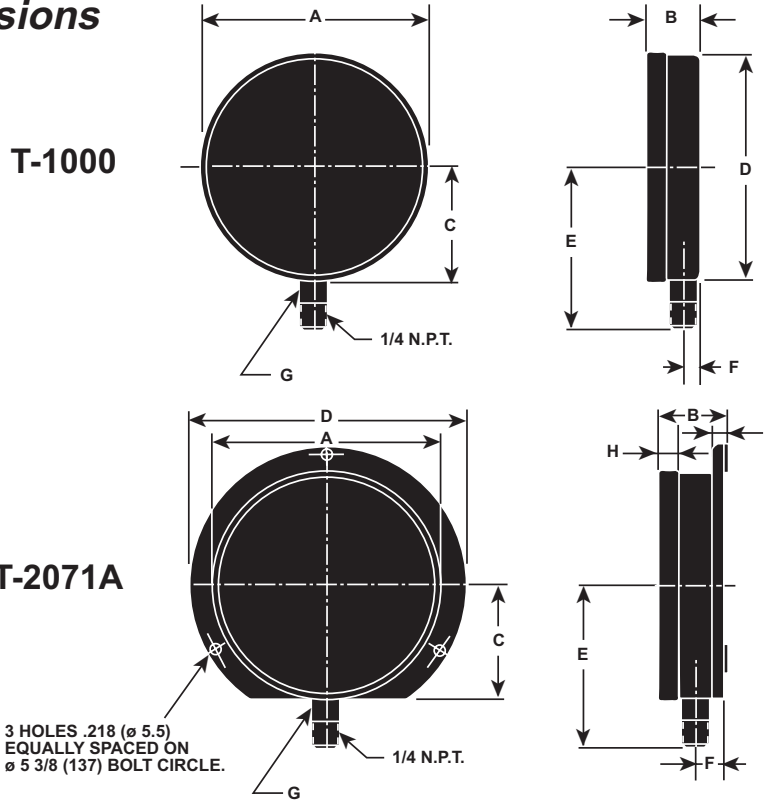
Special calibration on application

TO ORDER THIS TYPE 1000/2071A GAUGE:

Select:

1. Dial Size: 4½" _____ 45 W 2071A 02L 300#
2. Patented PowerFlex™ Movement _____
3. Case Type Number: 2071A _____
4. Connection Size/Location: ¼ NPT lower _____
5. Range: 300 psi _____

Dimensions



T-1000 4½"	A	B	C	D	E	F	Wrench Flats G	Weight
Inches	4.75	1.13	2.34	4.69	3.38	0.34	9/16	12 oz.
mm	(121)	(29)	(60)	(119)	(86)	(9)	(14)	

T-2071A 4½"	A	B	C	D	E	F	Wrench Flats G	H	I	Weight
Inches	4.75	1.41	2.38	5.81	3.38	0.47	9/16	0.42	0.25	16 oz.
mm	(121)	(36)	(60)	(148)	(86)	(12)	(14)	(11)	(6)	