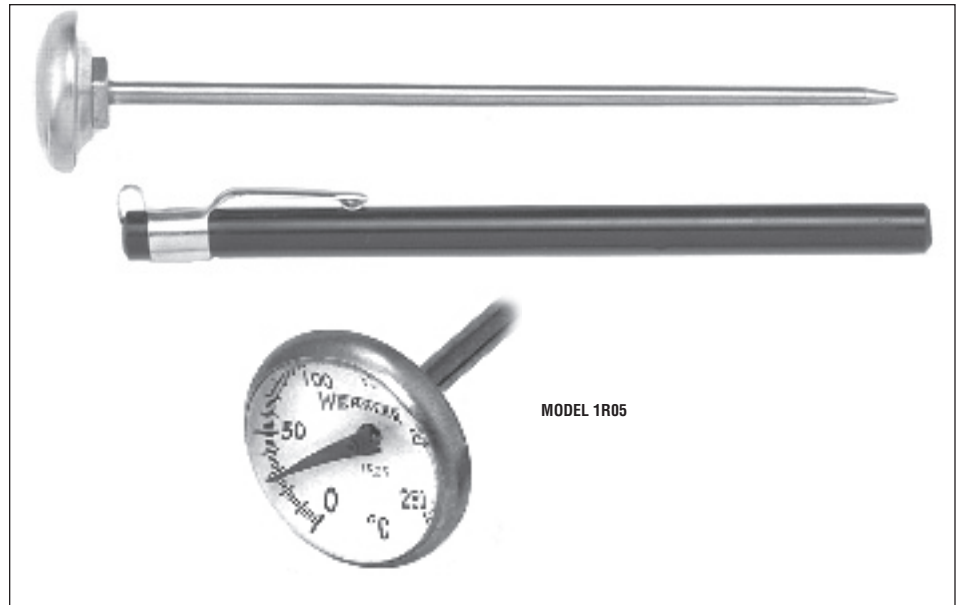


STANDARD FEATURES

- 1" dial
- 5" stem length
- .142" stem diameter
- Complete with pocket case and clip
- Standard with plastic crystal and recalibration feature

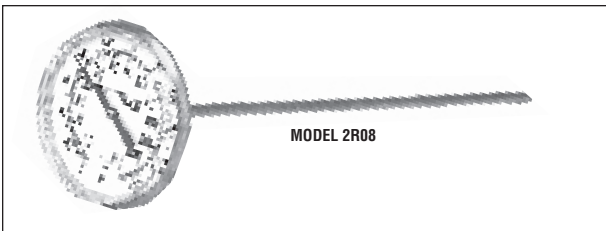
CATALOG NUMBER	STANDARD RANGES
1R05A	-40 to 160°F in 2° divs.
1R05B	25 to 125°F in 1° divs.
1R05C	0 to 220°F in 2° divs.
1R05D	50 to 550°F in 5° divs.
1R05E	-50 to 100°C in 2° divs.
1R05F	-10 to 110°C in 2° divs.
1R05G	0 to 150°C in 2° divs.
1R05H	0 to 250°C in 5° divs.



MODEL 1R05

STANDARD FEATURES

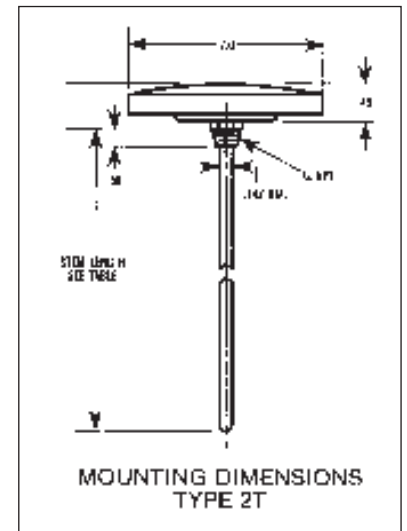
- 2" dial
- All Stainless Steel Construction
- Accurate to ±1% of Scale Range
- Dual Scale (Both °F and °C) Ranges



MODEL 2R08



MODEL 2T02



MOUNTING DIMENSIONS
TYPE 2T

CATALOG NUMBER	DUAL SCALE (BOTH °F AND °C)		TYPE
	FAHRENHEIT ON OUTER – CELSIUS ON INNER SCALE		
2R08A	-40 to 160°F in 2° divs.	and -40 to 70°C in 2° divs.	8" Plain Stem With Recalibration Feature
2R08B	25 to 125°F in 1° divs.	and -5 to 50°C in 1° divs.	
2R08J	0 to 180°F in 2° divs.	and -18 to 83°C in 1° divs.	
2R08C	0 to 220°F in 1° divs.	and -10 to 110°C in 2° divs.	
2R08K	50 to 400°F in 5° divs.	and 10 to 106°C in 2° divs.	
2R08D	50 to 550°F in 5° divs.	and 10 to 290°C in 5° divs.	
2T02A	-40 to 160°F in 2° divs.	and -40 to 70°C in 2° divs.	2½" Stem ¼ NPT Fixed Thread
2T02C	0 to 220°F in 2° divs.	and -10 to 110°C in 2° divs.	
2T04A	-40 to 160°F in 2° divs.	and -40 to 70°C in 2° divs.	4" Stem ¼ NPT Fixed Thread
2T04B	25 to 125°F in 1° divs.	and -5 to 50°C in 1° divs.	
2T04C	0 to 220°F in 2° divs.	and -10 to 110°C in 2° divs.	

HOW TO ORDER

Specify 5 digit catalog number from above tables