

- Available in 4½", 6" and 8½" dial sizes
- Solid-front style, black phenolic case with stainless steel snap ring
- Lower or back connect
- Flush mounted by using 1278 mounting-ring option

The Ashcroft® Type 1220 is a versatile general service gauge. The phenolic case resists many corrosive environments and is available in three dial sizes. Lower and back connections allow the gauge to be used for many installations.



The following Table is *not* for conversion purposes.

| STANDARD RANGES ⁽⁴⁾ | | |
|--------------------------------|--------------------------|-------------|
| Pressure psi | kg/cm ² - bar | kPa |
| 0/15 | 0/1 | 0/100 |
| 0/30 | 0/1.6 | 0/160 |
| 0/60 | 0/2.5 | 0/250 |
| 0/100 | 0/4 | 0/400 |
| 0/200 | 0/6 | 0/600 |
| 0/300 | 0/10 | 0/1000 |
| 0/400 | 0/16 | 0/1600 |
| 0/600 | 0/25 | 0/2500 |
| 0/800 | 0/40 | 0/4000 |
| 0/1000 | 0/60 | 0/6000 |
| 0/1500 | 0/100 | 0/10,000 |
| 0/2000 | 0/160 | 0/16,000 |
| 0/3000 | 0/250 | 0/25,000 |
| 0/4000 | 0/400 | 0/40,000 |
| 0/5000 | 0/600 | 0/60,000 |
| 0/6000 | 0/1000 | 0/100,000 |
| 0/7500 | | |
| 0/10,000 | | |
| 0/15,000 | | |
| 0/20,000 | | |
| Vacuum | | |
| 30 in./0 in.Hg | -1/0 | -100/0 |
| Compound | | |
| 30 in.Hg/15 psi | -1/0/1.5 | -100/0/150 |
| 30 in.Hg /30 psi | -1/0/3 | -100/0/300 |
| 30 in.Hg /60 psi | -1/0/5 | -100/0/500 |
| 30 in.Hg/100 psi | -1/0/9 | -100/0/900 |
| 30 in.Hg /150 psi | -1/0/15 | -100/0/1500 |
| 30 in.Hg/300 psi | -1/0/24 | -100/0/2400 |

| BOURDON SYSTEM SELECTION ⁽⁵⁾ | | | | | |
|---|---|---------------------|---------|----------------------|--------------------------|
| Ordering Code Conn. ⁽²⁾ | Bourdon Tube & Tip Material ⁽¹⁾ (all joints TIG welded except "A") | Socket Material | Tube | Range Selection Type | NPT Conn. ⁽²⁾ |
| A | Phosphor Bronze Brass Tip, Silver Brazed | Brass | C-Tube | 12/1000 | ¼ |
| S | 316 stainless steel | 316 stainless steel | C-Tube | 12/1500 | ¼ |
| | | | Helical | 2000/20,000 | ½ |
| P ⁽³⁾⁽⁵⁾ | K Monel | Monel 400 | C-Tube | 15/1500 | ¼ |
| | | | Helical | 2000/30,000 | ½ |

(1) For selection of the correct Bourdon system material, see the media application table on page 243.

(2) Optional connections available: ½ NPT where ¼ NPT is standard, ¼ NPT where ½ NPT is standard.

(3) Use for applications where NACE Standard MR-01-75 is specified.

(4) Single-scale and dual-scale ranges available.

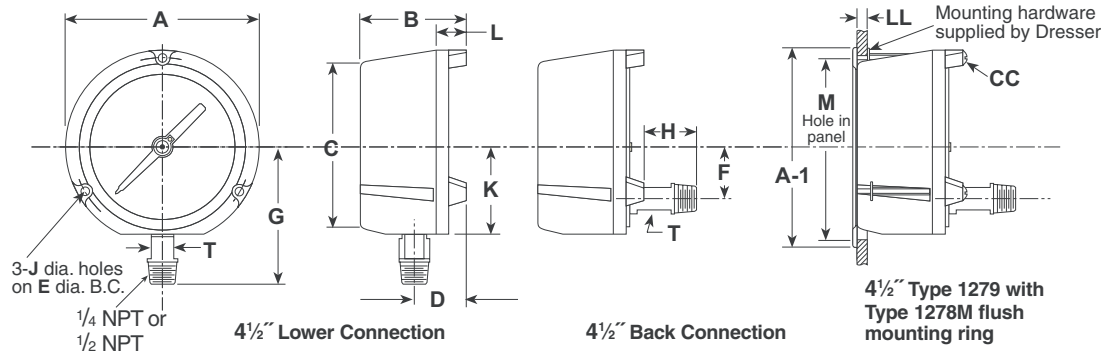
(5) 6" and 8½" dial not available with Monel system.

TO ORDER THIS 1220 PRESSURE GAUGE:

Select: _____ 45 _____ 1220 _____ A _____ 02L _____ XXX _____ 1000#

- Dial size—4½", 6" and 8½" _____
- Case type—1220 _____
- Tube and socket material _____
- Connection size—¼ (02), ½ (04) _____
- Connection location—Lower (L), Back (B) _____
- Optional features—see page 176 _____
- Standard pressure range—1000 psi _____

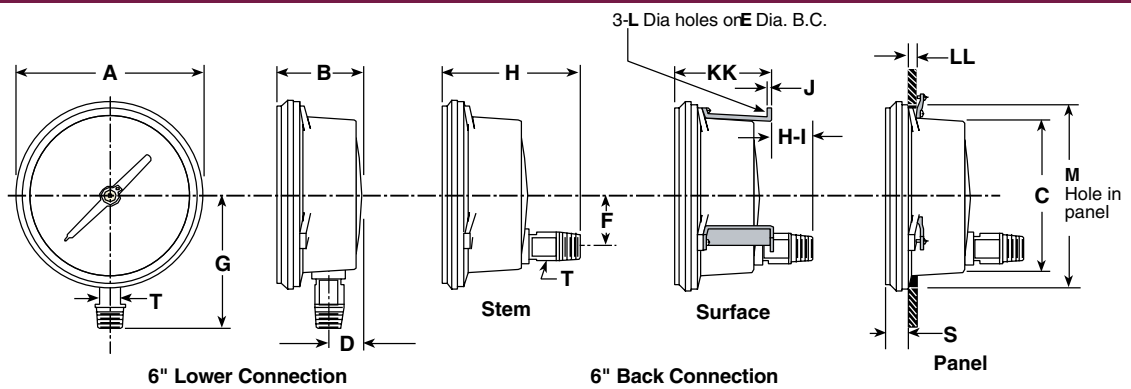
Case Type 4½" 1220



| Dial Size Inches | A | B | C | D | E | F | G | H | J | L | T | V | Weight (lbs) |
|------------------|----------------|------------|----------------|------------|-------------|------------|----------------|-----------|-----------|-------------|-----------|------------|--------------|
| 4½ | 5¼/16 (148) | 3¾ (86) | 5¼/16 (129) | 1½ (41) | 5¾ (137) | 1½ (41) | 3¼/16 (100) | ¾ (20) | 1 (25) | .218 (6) | ⅝ (16) | 2⅝ (67) | 2½ |

| Type 1278 Flush Mounting Ring Gauge Type | A-1 | M | CC | LL |
|--|------------|-------------|--------|---------------------|
| 4½" Types 1220 & 1010 | 6 (152) | 5¾ (136) | #10-24 | ⅛ - ⅝/16 (3)-(8) |

Case Type 6" 1220



| Dial Size Inches | A | B | C | D | E | F | G | H | H-1 | J | KK | L | LL | | M | S | T | Weight (lbs) |
|------------------|-------------|---------------|-------------|-------------|-------------|------------|----------------|----------------|----------------|-------------|---------------|-------------|-------------|-----------|------------|---------------|-----------|--------------|
| | | | | | | | | | | | | | Min. | Max. | | | | |
| 6 | 6¾ (163) | 27/16 (62) | 4¾ (120) | 7/8 (22) | 5¾ (137) | 1½ (42) | 3¼/16 (100) | 49/16 (116) | 49/32 (109) | 5/64 (2) | 2¼/16 (69) | .218 (6) | 1/16 (2) | ½ (13) | 6 (152) | 1¼/16 (17) | ⅝ (19) | 6 |