

1150H Reid Vapor Test Gauge

- Accuracy ASME B 40.1 Grade 2A ($\pm 0.5\%$ of span)
- Dial size 4½" only
- White dial and black pointer

1122KE/KF

- Accuracy ASME B 40.1 Grade A ($\pm 2-1-2\%$ of span)
- Dial size 2½" only

The Ashcroft® Type 1150H is a specialized pressure gauge used by the petroleum industry to measure vapor pressures of various petroleum products.

The Ashcroft® Type 1122 is a specialized product used for some pump, turbine and compressor applications.



SPECIFICATIONS

Gauge Type Number	Dial Size (Inches)	Case & Ring Material Finish	Bourdon Tube & Tip Material (all joints welded)	Socket Material	Pressure Range (psi)	Pointer	Movement	NPT Conn.
Reid Vapor Test 1150H	4½"	Case: Aluminum Ring: Threaded Aluminum black epoxy coated	Phosphor Bronze Tip: Brass (All joints silver brazed)	Brass	15/600	Micrometer Adjustable	Stainless steel Teflon coated, pinion and sector shaft, rotary geared	¼"
1122KE ⁽¹⁾ 1122KF	2½"	Case: Stainless steel Ring: Bayonet Lock, St.St. Both polished	Phosphor Bronze Tip: Brass (All joints silver brazed)	Brass	15/1000	Non adjustable	Stainless steel	¼"

TYPE 1150H

Range		Dial Graduations	
kg/cm ² kilograms per sq. cm.	bar	Figure Interval	Minor Graduation
0/1	0/1	0.1	0.01
0/1.6	1.6	0.2	0.02
0/2.5	2.5	0.5	0.05
0/4	0/4	0.5	0.05
0/6	0/6	0.5	0.1
0/10	0/10	1	0.1
0/16	0/16	2	0.2
0/25	0/25	5	0.5
0/40	0/40	5	0.5

TYPE 1122

Range		Dial Graduations	
kg/cm ² kilograms per sq. cm.	bar	Figure Interval	Minor Graduation
0/1	0/1	0.1	0.01
0/1.6	0/1.6	0.2	0.02
0/2.5	0/2.5	0.5	0.05
0/4	0/4	0.5	0.05
0/6	0/6	0.5	0.1
0/10	0/10	1	0.1
0/16	0/16	2	0.2
0/25	0/25	5	0.5
0/40	0/40	5	0.5
0/60	0/60	5	1

Compound

-1/0/1.5	-1/0/1.5	.5	.05
-1/0/3	-1/0/3	.5	.05
-1/0/5	-1/0/5	.5	.1

Range

Range		Dial Graduations	
kPa (kilopascal)	Figure Interval	Minor Graduation	Dual-Scale psi
0/100	10	1	0/14
0/160	20	2	0/22
0/250	50	5	0/35
0/400	50	5	0/55
0/600	50	10	0/85
0/1000	100	10	0/140
0/1600	200	20	0/220
0/2500	500	50	0/350
0/4000	500	50	0/550
0/6000	500	100	0/850

Compound

-100/0/300	50	5	30"Hg/40
-100/0/500	50	50	30"Hg/70

STANDARD RANGES

Range psi	Figure Interval	Minor Graduation
Type 1150H		
0/15	1	0.1
0/30	2	0.2
0/45	3	0.2
0/60	4	0.25
0/100	5	0.5
0/200	10	1
0/250	10	1
0/300	10	1
0/600	20	2

Type 1122 (60° dial arc except 15psi-45°)

0/15	5	1
0/30	10	2
0/60	15	5
0/100	20	10
0/160	40	10
0/200	50	10
0/300	100	25
0/400	100	25
0/600	150	50
0/1000	250	50

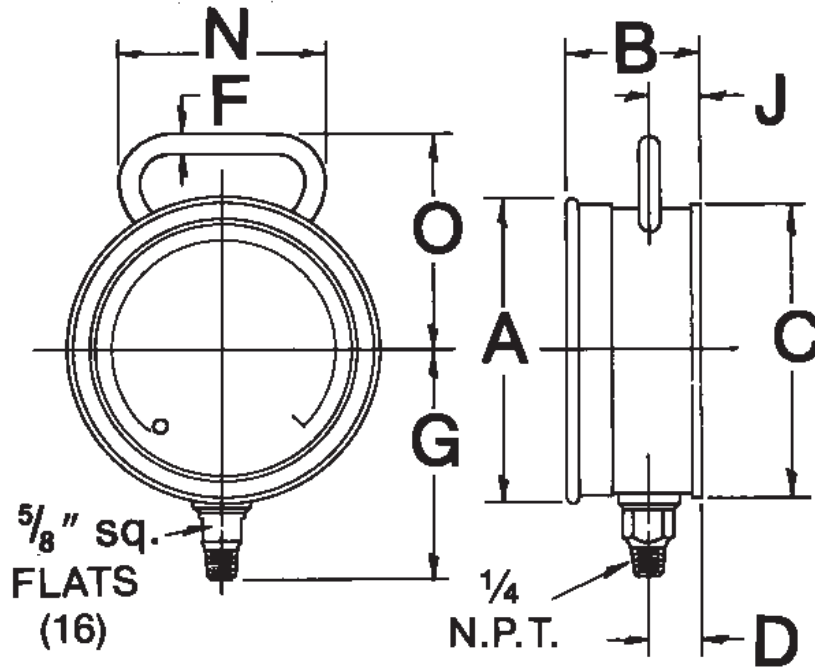
(1) The 1122KE is stem mounted.
The 1122KF is surface mounted with a front flange.

TO ORDER THESE 1150H & 1122 GAUGES:

Select: 45 1150 H 02L XXX 600#

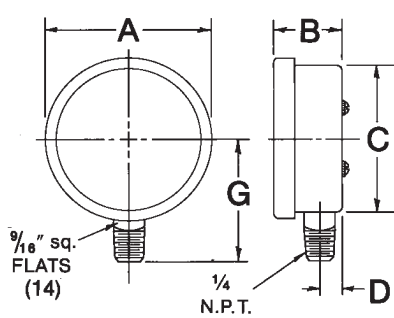
- Dial size—2½", 4½" _____
- Type _____
- Tube and socket material—see chart above _____
- Connection size—¼" (02) _____
- Connection location—Lower (L) only _____
- Optional features—see page 176 _____
- Standard pressure range 600 psi _____

Accessories—see pages 233-238



GAUGE SIZE	A	B	C	D	F	G	J	N	O
4 1/2	5 1/32 (127)	2 1/16 (57)	4 7/8 (124)	7/8 (24)	5/16 (8)	4 3/4 (97)	1 9/16 (21)	3 7/16 (88)	3 11/32 (85)

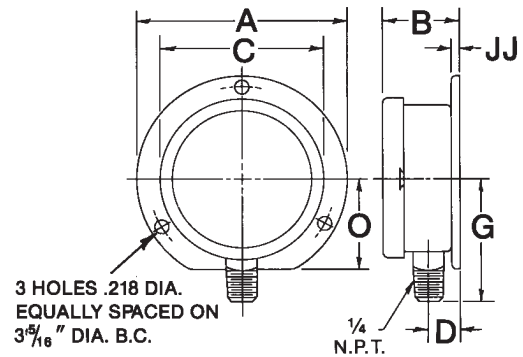
CASE TYPE 1122KE



CASE TYPE 1122KE

GAUGE SIZE	A	B	C	D	G
2 1/2	2 7/8 (73)	1 5/32 (29)	2 21/32 (67.5)	3/8 (9.5)	2 11/32 (59.5)

CASE TYPE 1122KF



CASE TYPE 1122KF

GAUGE SIZE	A	B	C	D	G	O	JJ
2 1/2	3 11/16 (94)	1 11/32 (34)	2 7/8 (73)	1 7/32 (14)	2 11/32 (59.5)	1 5/8 (41)	5/32 (4)