

### DESIGNED FOR SAFETY AND LONGER LIFE

- **Patented PowerFlex™ movement isolates movement from shock and vibration for longer life**
- **All stainless, all-welded construction for long life**
- **New PLUS!™ Performance Option:**
  - Liquid-filled performance in a dry gauge
  - Fights vibration and pulsations without liquid-fill headaches
  - Autoclavable to 300°F (149°C)<sup>(1)</sup>
  - See pages 6-7 for details
  - Order as option XLL
- **True Zero™ pointer indication – no stop pin to mask false zero reading – ensures safety and process control**

(1) 2½", 3½" requires optional polysulfate window XPS.

### OTHER FEATURES:

Available in 2½", 3½" and 4½" dial sizes, 1032 sanitary pressure gauges can be autoclaved/sterilized and cleaned or steamed in place (CIP, SIP). These gauges have been designed specifically to meet the needs of the sanitary marketplace.

They are available dry, liquid-filled or hermetically sealed to allow for washdowns and now with the PLUS!™ performance option.



### PRODUCT SPECIFICATIONS

**Dial Sizes:** 2½", 3½" and 4½"<sup>(1)</sup>

**Process Connection:** 1½" and 2" Tri-Clamp\* lower and back<sup>(2)</sup>

**Diaphragm Material and Surface Finish:** Electropolished 316L stainless steel (12-20RA Finish on diaphragm)

**Case and Ring:** 300 series polished stainless steel

**Accuracy:** ±1.5% of span for pressure ranges 100 psi thru 600 psi. ±2.0% of span for vacuum, compound and pressure ranges below 100 psi

**Pointer:** Adjustable (external zero adjust on 3½" dial size)

**Windows:** 2½", 3½"–Polycarbonate standard  
4½"–Glass standard

**Dial:** White with black markings including 3A insignia

**Agency Compliance:** 3A compliance to standard 74-02 titled – "3A Sanitary Standard for Liquid Pressure and Level sensing Devices"

**System Filling:** Pharmaceutical/food quality USP grade glycerin (99.5% pure)  
Optional: Food grade silicone

**Optional System Fillings:** Consult factory

**Case Fillings:** The standard sanitary gauge is dry  
Optional fills include:

- Glycerin USP Grade 99.5% pure)
- Food grade silicone

**Optional Windows:** Safety glass and polysulfone (2½" and 3½")

**Autoclave or Sterilize:** Temperature limit of 300°F (149°C). We recommend a polysulfone window for autoclave/sterilization. Specify the XPS variation.

### Notes:

(1) 4½" available with lower-connect 2" Tri-Clamp only.

(2) For other connections, consult the factory.

- Dual scales, metric ranges and false reading dials are available on request.

Special dials with colors, logos, etc., available upon request.

### STANDARD RANGES<sup>(1)</sup>

Pressure psi	Compound Vacuum/psi
0/15	30 in.Hg/0 psi
0/30	30 in.Hg/15 psi
0/60	30 in.Hg/30 psi
0/100	30 in.Hg/60 psi
0/160	30 in.Hg/100 psi
0/200	30 in.Hg/150 psi
0/300	30 in.Hg/300 psi
0/400	
0/600	
0/1000 <sup>(2)</sup>	

(1) Nonstandard ranges available standard including units in bar, kg/cm<sup>2</sup> and kPa.

(2) Consult Tri-Clover, Inc. for appropriate clamps on 1000 psi range.

### TO ORDER THIS 1032 SANITARY GAUGE:

Select: \_\_\_\_\_ 35      1032S      L      15L      100#

1. Dial size–2½", 3½" & 4½" \_\_\_\_\_

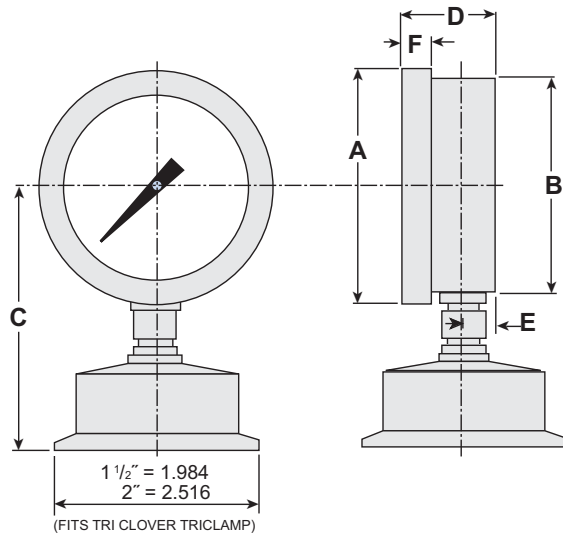
2. Case type–1032 \_\_\_\_\_

3. Liquid-filled case, if required \_\_\_\_\_  
otherwise eliminate

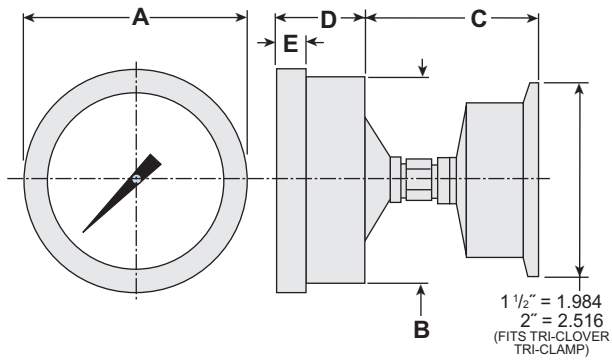
4. Process connection Tri-Clamp size–1½" (15), 2" (20) \_\_\_\_\_

5. Connection location–Lower (L), Back (B) \_\_\_\_\_

6. Standard pressure range \_\_\_\_\_



Dial Size	A	B	C	D	E	F
2 1/2"	2 1/8 (73)	2 21/32 (67)	3 3/32 (82)	1 1/32 (29)	1 3/32 (10)	3/8 (10)
3 1/2"	3 31/32 (101)	3 19/32 (91)	3 21/32 (93)	1 1/32 (31)	1 3/32 (10)	1 1/32 (12)
4 1/2"	5 1/8 (130)	4 9/16 (116)	5 1/4 (133)	2 1/16 (52)	1 5/16 (24)	1 9/32 (12)



Dial Size	A	B	C	D	E
2 1/2"	2 1/8 (73)	2 21/32 (67)	3 3/32 (82)	1 1/32 (29)	1 3/32 (10)
3 1/2"	3 31/32 (101)	3 19/32 (91)	3 21/32 (93)	1 1/32 (31)	1 3/32 (10)