

- Available in 4½" dial size
- All-stainless steel case and ring
- 316 stainless steel Bourdon tube
- Micrometer-adjustable pointer

Ashcroft® Type 1020S Christmas Tree gauges are designed to the specific needs of oil fields where rugged construction and minimal maintenance is important.



STANDARD RANGES

Type 1020S

Pressure (psi)

Range	Figure Interval	Minor Graduation
0/1000	100	10
0/2000	200	20
0/3000	300	50
0/5000	500	50
0/10,000	1000	100
0/20,000	2000	200

CASE TYPE

Gauge Type Number	Dial Size (inches)	Case & Ring Material Finish	Bourdon Tube & Tip Material	Socket Material	Pressure Range (psi)	Pointer	Movement	NPT Connection
XMAS TREE 1020S	4½	Case: Stainless Steel Ring: Bayonet Lock Stainless Steel Both polished	316 Stainless Steel (all joints TIG welded)	316 Stainless Steel	1000/20,000	Micrometer Adjustable	Stainless Steel Teflon coated pinion and sector shaft, rotary geared	½ ¼ optional

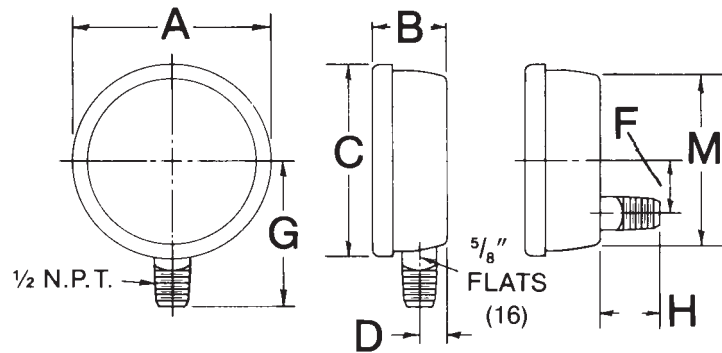
STANDARD METRIC RANGES

Type	RANGE		DIAL GRADUATIONS		RANGE kPa (kilopascal)	DIAL GRADUATIONS		Outer Range When Dual Range Specified psi
	kg/cm²	bar	Figure Interval	Minor Graduation		Figure Interval	Minor Graduation	
1020S	Pressure							
	0/60	0/60	5	1	0/6000	500	100	0/850
	0/100	0/100	10	1	0/10,000	1000	100	0/1400
	0/160	0/160	20	2	0/16,000	2000	200	0/2200
	0/250	0/250	50	5	0/25,000	5000	500	0/3500
	0/400	0/400	50	5	0/40,000	5000	500	0/5500
	0/600	0/600	50	10	0/60,000	5000	1000	0/8500
	0/1000	0/1000	100	10	0/100,000	10,000	1000	0/14,000
0/1600	0/1600	200	20	0/160,000	20,000	2000	0/22,000	

TO ORDER THIS TYPE 1020R CHRISTMAS TREE GAUGE:

Select:

- Dial size—4½" 45
 - Case type—1020 1020
 - Tube and socket material—see charts above S
 - Connection size—¼ (02), ½ (04) 04L
 - Connection location—Lower (L) only 1000#
 - Standard pressure range—1000 psi
- Accessories—see pages 233-238



CASE TYPE 1020RT

GAUGE SIZE	A	B	C	D	F	G	H	M
4½	5½ (130)	2⅞ (53)	4¾ (121)	1⅝ (24)	1⅞ (41)	4⅞ (103)	1⅞ (41)	4⅞ (116)