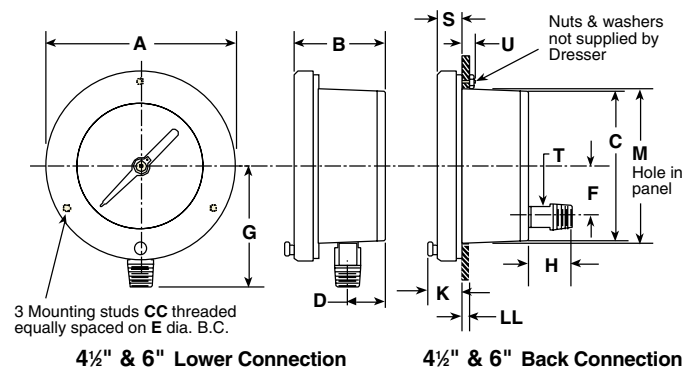


Case Type 1017



Dial Size Inches	A	B	C	D	E	F	G	H	Weight (lbs)
4½	6 ³ / ₃₂ (148)				5 ³ / ₈ (137)		3 ¹⁵ / ₁₆ (100)		2½
6	7 ⁹ / ₁₆ (192)	2 ⁷ / ₈ (73)	4 ³ / ₄ (121)	1 ¹ / ₁₆ (27)	7 (178)	1 ⁵ / ₈ (41)	4½ (114)	1 ³ / ₈ (35)	3

Dial Size Inches	K	M	P	S	T	U	CC	LL	Weight (lbs)
4½		4 ⁷ / ₈ (124)					#10-24		2½
6	1 ¹ / ₁₆ (27)	6½ (165)	2 ¹ / ₈ (54)	5 ⁸ / ₁₆ (16)	5 ⁸ / ₁₆ (16)	¾ (19)	¼-20	1 ⁸ -1 ¹ / ₂ (3)(13)	3