

- 4½", 6", 8½" and 12" dial sizes
- Solid-front case style, black epoxy-painted aluminum case
- Slip-fit steel ring, black epoxy-painted
- Back flange for wall mounting

The Ashcroft® Type 1010 gauge is the most economical of the general service industrial gauges having 1% accuracy. The 1010 also is the only Ashcroft gauge available in sizes up to 12" in diameter.



The following Table is *not* for conversion purposes.

### STANDARD RANGES<sup>(4)</sup>

Pressure psi	kg/cm <sup>2</sup> - bar	kPa
0/15	0/1	0/100
0/30	0/1.6	0/160
0/60	0/2.5	0/250
0/100	0/4	0/400
0/200	0/6	0/600
0/300	0/10	0/1000
0/400	0/16	0/1600
0/600	0/25	0/2500
0/800	0/40	0/4000
0/1000	0/60	0/6000
0/1500	0/100	0/10,000
0/2000	0/160	0/16,000
0/3000	0/250	0/25,000
0/4000	0/400	0/40,000
0/5000	0/600	0/60,000
0/6000	0/1000	0/100,000
0/7500	0/1600	0/160,000
0/10,000		
0/15,000		
0/20,000		
0/30,000		
<b>Vacuum</b>		
30 in./0 in.Hg	-1/0	-100/0
<b>Compound</b>		
30 in.Hg/15 psi	-1/0/1.5	-100/0/150
30 in.Hg /30 psi	-1/0/3	-100/0/300
30 in.Hg /60 psi	-1/0/5	-100/0/500
30 in.Hg/100 psi	-1/0/9	-100/0/900
30 in.Hg /150 psi	-1/0/15	-100/0/1500
30 in.Hg/300 psi	-1/0/24	-100/0/2400

### BOURDON SYSTEM SELECTION<sup>(5)</sup>

Dial Size (inches)	Order Code	Bourdon Tube & Tip Material <sup>(1)</sup> (all joints TIG welded except "A")	Socket Material	Tube Type	Range Selection Limits (psi)	NPT Conn. <sup>(2)</sup>
4½", 6" 8½"	A	Phosphor Bronze Brass Tip, Silver Brazed	Brass	C-Tube	12/1000	¼
4½", 6" 8½", 12"	S	316 stainless steel	316 stainless steel	C-Tube	12/1500	¼
				Helical	2000/20,000	½
4½", 12"	P <sup>(3)</sup>	K Monel	Monel 400	C-Tube	15/1500	¼
				Helical	2000/30,000	½

(1) For selection of the correct Bourdon system material, see the media application table on page 243.

(2) Optional connections available: ½ NPT where ¼ NPT is standard, ¾ NPT where ½ NPT is standard.

(3) Use for applications where NACE Standard MR-01-75 is specified.

(4) Single-scale and dual-scale ranges available.

### TO ORDER THIS 1010 PRESSURE GAUGE:

**Select:**

1. Dial size—4½", thru 12" \_\_\_\_\_ **45**

2. Case type—1010 \_\_\_\_\_ **1010**

3. Tube and socket material \_\_\_\_\_ **A**

4. Connection size—¼ (02), ½ (04) \_\_\_\_\_ **02L**

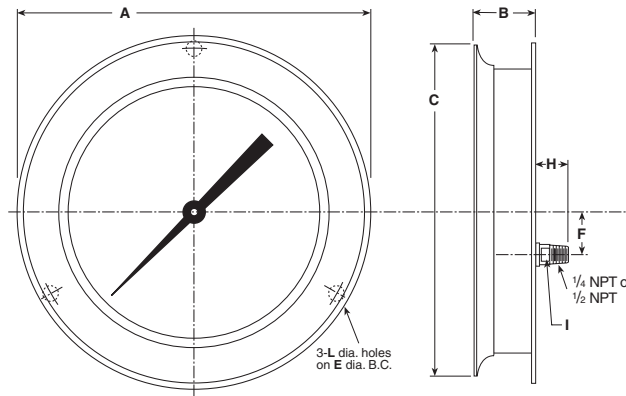
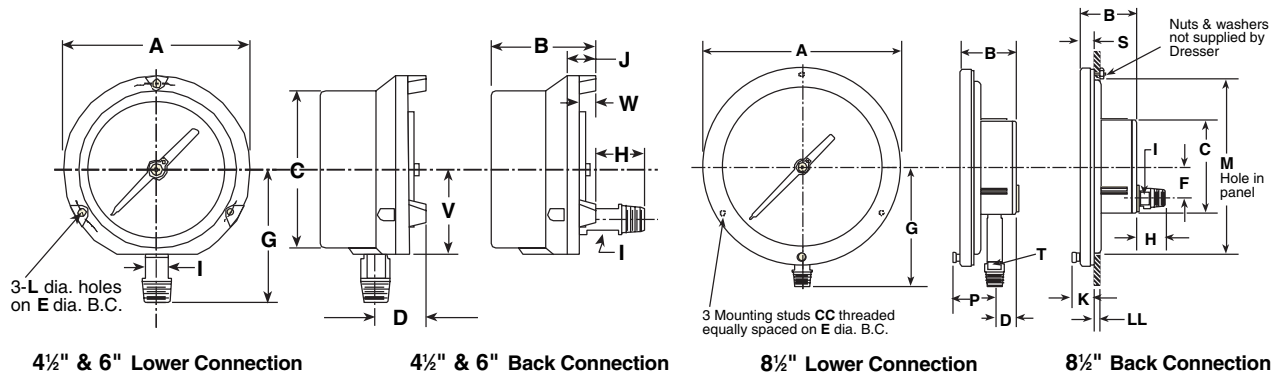
5. Connection location—Lower (L), Back (B) \_\_\_\_\_ **XXX**

6. Optional features—see page 176 \_\_\_\_\_

7. Standard pressure range—1000 psi \_\_\_\_\_ **1000#**

Accessories—see pages 233-238

## Case Type 1010



### Case Type 1010 4½", 6", 8½" and 12" Back and Lower Connect

Dial Size Inches	A	B	C	D	E	F	G	H	I	J	K	L	M	S	Wgt (lbs)
4½	5¼/16 (148)	3¼/32 (86)	4⅞ (124)	1⅝ (41)	5⅜ (137)	1⅝ (41)	3¼/16 (100)	⅞ (20)	⅝ (16)	1¼/16 (27)	2⅞ (60)	.218 (6)	4¼/16 (125)	—	2.5 1.13 kg
6	7⅞ (194)	2⅝/16 (59)	7 (178)	1⅝/16 (24)	7 (178)	1⅝ (41)	5¼ (133)	⅞ (20)	⅝ (16)	1¼/16 (27)	3⅞ (79)	.218 (6)	6⅞/16 (164)	—	3.125 1.4 kg
8½	10¼/16 (256)	2⅞ (73)	4¾ (121)	1¼/16 (39)	9⅝ (244)	1⅝ (41)	6 (152)	1⅜ (35)	⅝ (16)	—	1¼/16 (27)	—	9 (228)	1¼/16 (17)	4.5 2.0 kg
12	14½ (368)	2¼/16 (75)	14¼ (361)	1¼/32 (26)	13½ (343)	2⅝ (54)	7½ (191)	1¼/32 (36)	⅝ (16)	¾/16 (5)	—	.281 (7)	12¼/16 (329)	¾/16 (5)	8 3.6 kg

Drawings are for representation only. See dimension table.