

- Case material is ABS
- Heat-resistant polycarbonate window
- Excellent for applications where corrosion or impact resistance is a necessity
- Patented PowerFlex™ movement with polyester segment
- True Zero™ indication, a unique safety feature

The Ashcroft® Type 1005P case is made of ABS (Acrylonitrile Butadiene Styrene), which is ideal for rugged applications and harsh environmental conditions. The 1005P gauge has a full-view polycarbonate window for better dial visibility. For applications requiring a high degree of corrosion resistance (where a more expensive stainless steel case is specified), the Type 1005P gauge is ideal.

The PowerFlex movement in these gauges offers superior shock, vibration and pulsation resistance.

True Zero indication reduces the potential risk of installing a damaged gauge on your equipment.

FlutterGuard™ can be added to



Type 1005P gauges to eliminate pointer flutter and extend gauge life.

GAUGE SPECIFICATIONS

Type no.:	1005P	Connection:	1½" Gauges ¼ NPT lower and back ¼ NPT lower
Accuracy:	ASME B 40.1 Grade B ($\pm 3-2-3\%$ of span)	2" Gauges ¼ NPT lower and back ¼ NPT lower and back	2½" and 3½" Gauges ¼ NPT lower ¼ NPT lower
Size:	1½", 2", 2½", 3½"	Ranges:	Vac.-6000 psi and compound (1000-6000 psi available in 2" lower and back, and 2½" lower connection, ¼ NPT only. 1½" available in vac.-300 psi only)
Case:	ABS	Operating temperature:	-40°F to 150°F
Ring:	None		
Window:	Polycarbonate snap-in		
Dial:	Black figures on white background		
Pointer:	Black, aluminum		
Bourdon tube:	"C" shaped bronze (vac.-600 psi and compound) Helical bronze (1000-6000 psi)		
Movement:	Patented PowerFlex with polyester segment		
Socket:	Brass		
Restrictor:	0.013" orifice throttle plug in gauges 1000 psi and above		

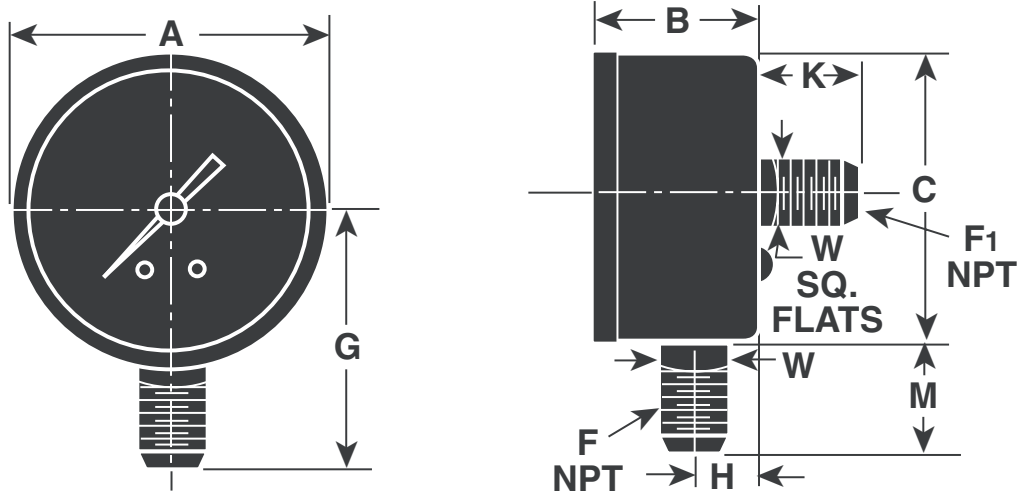
GAUGE OPTIONS

Case:	Factory variation code in () Case color other than black Vent hole (VH)
Pointer:	Adjustable (AP)
Socket:	Nonstandard length or thread Throttle plugs, 0.007", 0.013", 0.020", 0.063" orifices Nickel plated brass (NP) Teflon taped threads (TC)
Others:	Bulk packaging (ZO) Customized dials FlutterGuard (SF) Clean for oxygen service Nonstandard ranges and special calibration on application Top or side connection: (02D= right side) (02E= left side) (02T= top connection) Receiver ranges: 3/15 psi, 0/10 square root, 0/100% (PR) UL 404 and UL 252A listing for compressed gas service for 2" gauges

TO ORDER THIS TYPE 1005P GAUGE:

Select:	20	W	1005	P	H	01B	X(AP)	100#
1. Dial Size: 2" _____								
2. Patented PowerFlex™ Movement _____								
3. Case Type Number: 1005 _____								
4. Case Material: ABS _____								
5. Socket: Brass _____								
6. Connection Size/Location: ¼ NPT back _____								
7. Option: Adjustable Pointer _____								
8. Range: 100 psi _____								

Dimensions



TYPE 1005P

DIAL SIZE inches (mm)	A		B		C	F NPT	F1 NPT	G	H	K	M	W		WEIGHT (ozs)
	LOWER	BACK	LOWER	BACK								LOWER	BACK	
1½"	1.66 (42)	1.64 (42)	1.07 (27)	1.01 (26)	1.60 (41)	⅛ or ¼	⅛	1.41 (36)	0.38 (10)	0.62 (16)	0.62 (16)	0.56 (14)	0.44 (11)	1.5
2"	2.11 (54)	2.11 (54)	1.07 (27)	1.05 (27)	2.05 (52)	⅛ or ¼	⅛ or ¼	1.85 (47)	0.38 (10)	0.85 (22)	0.82 (21)	0.56 (14)	0.56 (14)	2.6
2½"	2.74 (70)	—	1.12 (28)	—	2.67 (68)	⅛ or ¼	⅛ or ¼	2.18 (55)	0.38 (10)	—	0.83 (21)	0.56 (14)	0.56 (14)	3.3
3½"	3.70 (94)	—	1.14 (29)	—	3.62 (92)	⅛ or ¼	⅛ or ¼	2.72 (69)	0.47 (12)	—	0.92 (23)	0.56 (14)	0.56 (14)	5.4