

- Case material is black-painted steel
- These gauges have a heat-resistant push-in polycarbonate window
- Dial faces match other Ashcroft® commercial gauges for easy readability
- Patented PowerFlex™ movement with polyester segment
- True Zero™ indication, a unique safety feature

Ashcroft® Type 1005 gauges are available in 1½" through 3½" dial sizes. The full-view polycarbonate push-in window allows for better dial visibility. These gauges are commonly used on compressors, filter regulators, water pumps, beverage-dispensing equipment, paint sprayers and a variety of other applications.

Ashcroft Type 1005 gauges have the patented PowerFlex movement with polyester segment for increased resistance to rough usage, for a more durable, longer-lasting gauge.

True Zero indication reduces the potential risk of installing a damaged gauge on your equipment.

FlutterGuard™ can be added



to Type 1005 gauges to eliminate pointer flutter and extend gauge life.

GAUGE SPECIFICATIONS

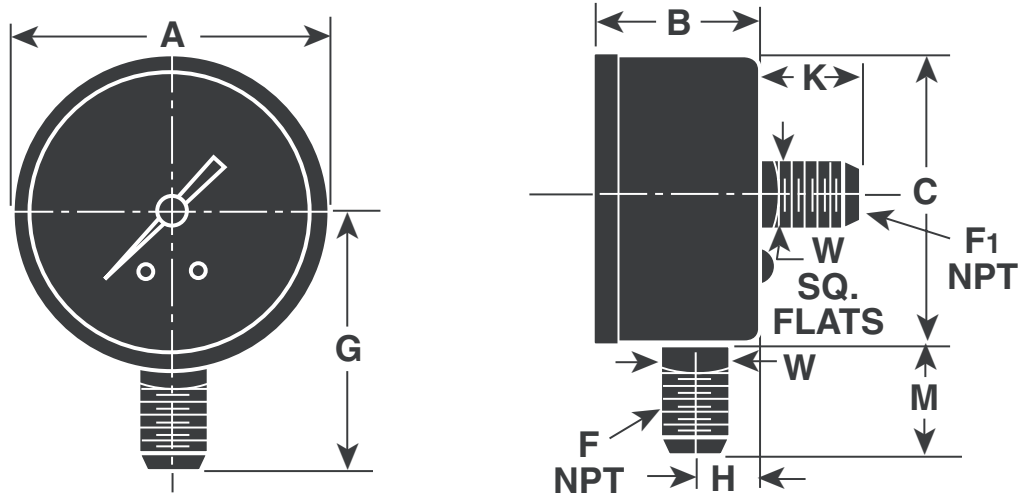
Type no.:	1005	Connection:	½ NPT lower, ½ NPT back ¼ NPT lower, ¼ NPT back (1½" back connection available in ½ NPT only)
Accuracy:	ASME B 40.1 Grade B ($\pm 3-2-3\%$ of span)	Ranges:	Vac.-6000 psi and compound (1000-6000 psi available in 2" and 2½" lower and back connection, ¼ NPT only. 1½" available in vac.-300 psi only)
Size:	1½", 2", 2½", 3½"	Operating temperature:	-40°F to 150°F
Case:	Black-painted steel	Note:	4½" gauges are available as Type 1000 with black friction-fit ring and glass window. Refer to Bulletin CG-10/21
Ring:	None		
Window:	Polycarbonate push-in		
Dial:	Black figures on white background		
Pointer:	Black, aluminum		
Bourdon tube:	"C" shaped bronze (Vac.-600 psi and compound) Helical bronze (1000-6000 psi)		
Movement:	Patented PowerFlex with polyester segment		
Socket:	Brass		
Restrictor:	0.013" orifice throttle plug in gauges 1000 psi and above		

GAUGE OPTIONS

Case:	Factory variation code in () Case color other than black Vent hole (VH)
Pointer:	Adjustable (AP)
Socket:	Nickel plated brass (NP) Nonstandard length or thread Throttle plugs, 0.007", 0.013", 0.020", 0.063" orifices Teflon taped threads (TC)
Others:	Bulk packaging (ZO) Customized dials Nonstandard ranges and special calibration on application UL 404 and UL 252A listing for compressed gas service for 2" gauges FlutterGuard (SF) Top or side connection: (02D= right side) (02E= left side) (02T= top connection) Receiver ranges: 3/15 psi, 0/10 square root, 0/100% (PR) Clean for oxygen service

TO ORDER THIS TYPE 1005 GAUGE:

Select:		20	W	1005	H	01L	X(AP)	100#
1. Dial Size: 2"	_____							
2. Patented PowerFlex™ Movement	_____							
3. Case Type Number: 1005	_____							
4. Socket Material: Brass	_____							
5. Connection Size/Location: ½ NPT lower	_____							
6. Option: Adjustable Pointer	_____							
7. Range: 100 psi	_____							



TYPE 1005

DIAL SIZE inches (mm)	A	B		C	F NPT	F1 NPT	G	H	K	M	W		WEIGHT (ozs)
		LOWER	BACK								LOWER	BACK	
1½"	1.62 (42)	0.86 (22)	0.99 (25)	1.60 (41)	⅛ or ¼	⅛	1.46 (37)	0.28 (7)	0.67 (17)	0.66 (17)	0.56 (14)	0.44 (11)	2
2"	2.09 (53)	1.04 (26)	1.04 (26)	2.05 (52)	⅛ or ¼	⅛ or ¼	1.85 (47)	0.34 (9)	0.88 (22)	0.82 (21)	0.56 (14)	0.56 (14)	3.6
2½"	2.73 (69)	1.10 (28)	1.10 (28)	2.68 (68)	⅛ or ¼	⅛ or ¼	2.18 (55)	0.36 (9)	0.88 (22)	0.84 (21)	0.56 (14)	0.56 (14)	4.5
3½"	3.67 (93)	1.21 (31)	1.21 (31)	3.61 (92)	⅛ or ¼	⅛ or ¼	2.72 (69)	0.43 (11)	0.88 (22)	0.92 (23)	0.56 (14)	0.56 (14)	6.8